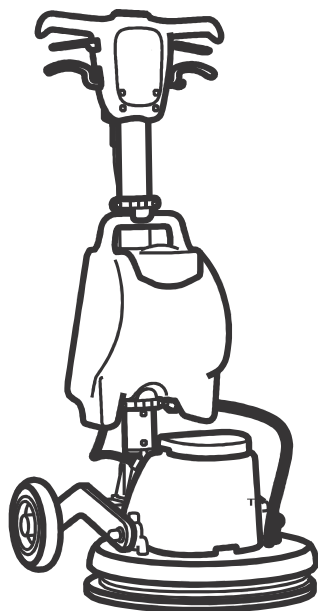


FMD20
ORBITAL Technology



Single disc machine - Monocepillos - Monobrosses

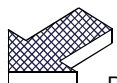
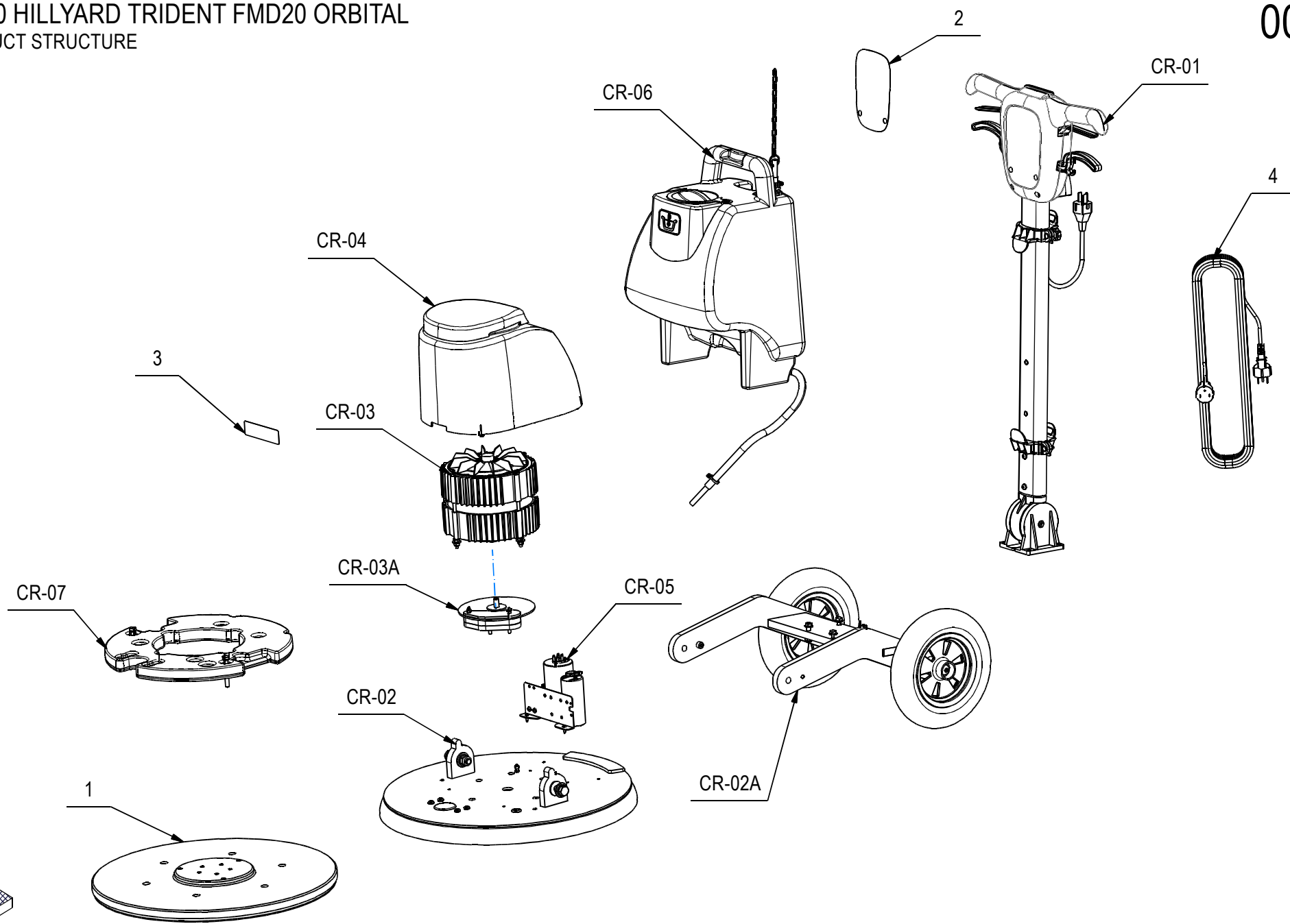
EN SPARE PARTS CATALOGUE
FR CATALOGUE DE PIECES DETACHEES
ES CATALOGO PIEZAS DE REPUESTO

HILLYARD
HILLYARD

TRIDENT
by HILLYARD

CR-00 HILLYARD TRIDENT FMD20 ORBITAL PRODUCT STRUCTURE

00



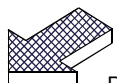
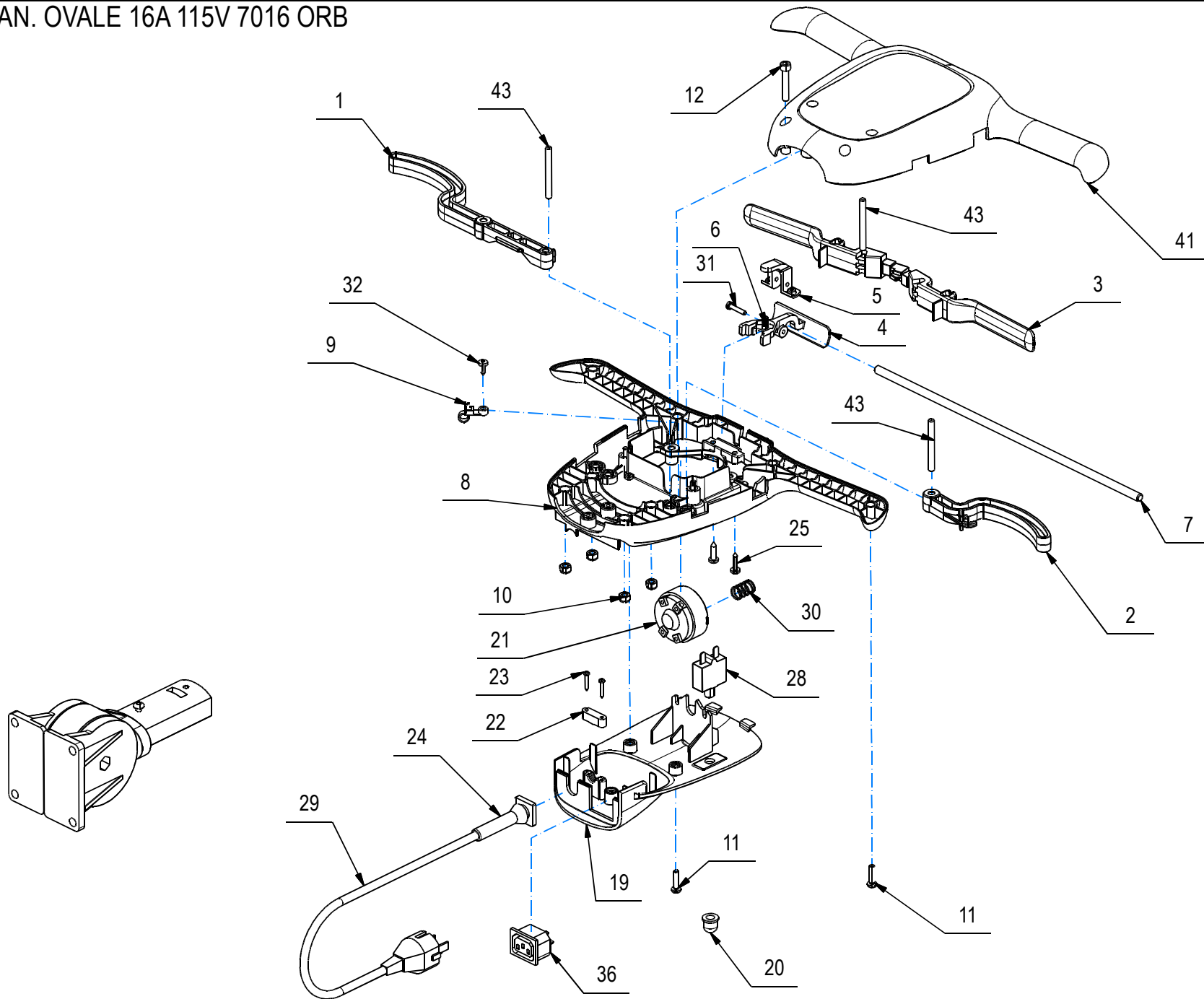
CR-00 HILLYARD TRIDENT FMD20 ORBITAL

00

POS	CODICE	QTÀ	DESCRIZIONE	DENOMINATION	DESCRIPTION	BENENNUNG	DESCRIPCION
1	450225	1	DISCO TRASC. D.505 ORBITALE CROWU+GOMMA	PAD HOLDER ORBITAL D.505 CRUWU+RUBBER	DISQUE ENTRAINEUR	TREIBTELLER	DISCO
2	447279	1	ETICH. MAN. TRIDENT FMD 20 ORB. HILLYARD	DECAL	ETIQUETTE	SCHILD	ETIQUETA
3	447280	1	ETICHETTA CARTER HILLYARD	DECAL	ETIQUETTE	SCHILD	ETIQUETA
4	447269	1	CAVO PROL.GIALLO 15MT PRESA USA+SP. USA	CABLE SJTW 3X14AWG 105D GREY PLUG USA	CABLE SJTW 3X14AWG 105D GREY PLUG USA	CAVO SJTW 3X14AWG 105D GREY PLUG USA 15M	CABLE SJTW 3X14AWG 105D GREY PLUG USA
CR-01	226450	1	GRUPPO MAN. OVALE 16A 115V 7016 ORBITALE	HANDLE BAR	TIMON	LENKSTANGE	MANILLAR
CR-02	227208	1	GRUPPO BASAMENTO TOR 50	BASE GROUP	BASE GROUP	GROUPE DE BASE	GRUPO DE BASE
CR-02A	224654	1	GRUPPO TELAIO TOR 43	BODYWORK ASSEMBLY	GROUPE DE CARROSERIE	GRUPPE FAHRGESTELL	GRUPO CARROCERÍA
CR-03	229062	1	GRUPPO MOTORE ORBITALE 115V HILLYARD	ORBITAL ENGINE 115V HILLYARD ASSY	GROUPE MOTEUR ORB. 115V HILLYARD	MOTORGRUPPE ORBITAL 11V HILLYARD	GRUPO MOTOR ORBITAL 115V HILLYARD
CR-03A	447889	1	MASSA ORBITANTE PER TOR 50	ORBITAL MECHANISM	MÉCANISME ORBITAL	ORBITALER MECHANISMUS	MECANISMO ORBITAL
CR-04	224863	1	GR. CARTER MOTORE FIMAP FM43/50 ORBITAL	CARTER GROUP	GROUPE DE CARTER	CARTER GRUPPE	GRUPO CARTER
CR-05	224831	1	GRUPPO IMP. ELETT. TOR43 100/11V 50/60HZ	ELECTRIC COMPONENTS	COMPOSANTS ELECTRIQUES	ELEKTROTEILE	COMPONENTES ELÉCTRICOS
CR-06	224810	1	GRUPPO SERBATOIO SOFFIAGGIO PER	SOLUTION TANK	RESERVOIR EAU PROPRE	FRISCHWASSERTANK	TANQUE SOLUTION
CR-07	224657	1	GRUPPO PESO ORBITALE	GROUP MASS	GROUPE DE MASSE	GROUP MASS	GRUPO DE MASA

CR-01 GR. MAN. OVALE 16A 115V 7016 ORB HANDLBAR

01

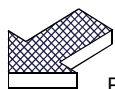
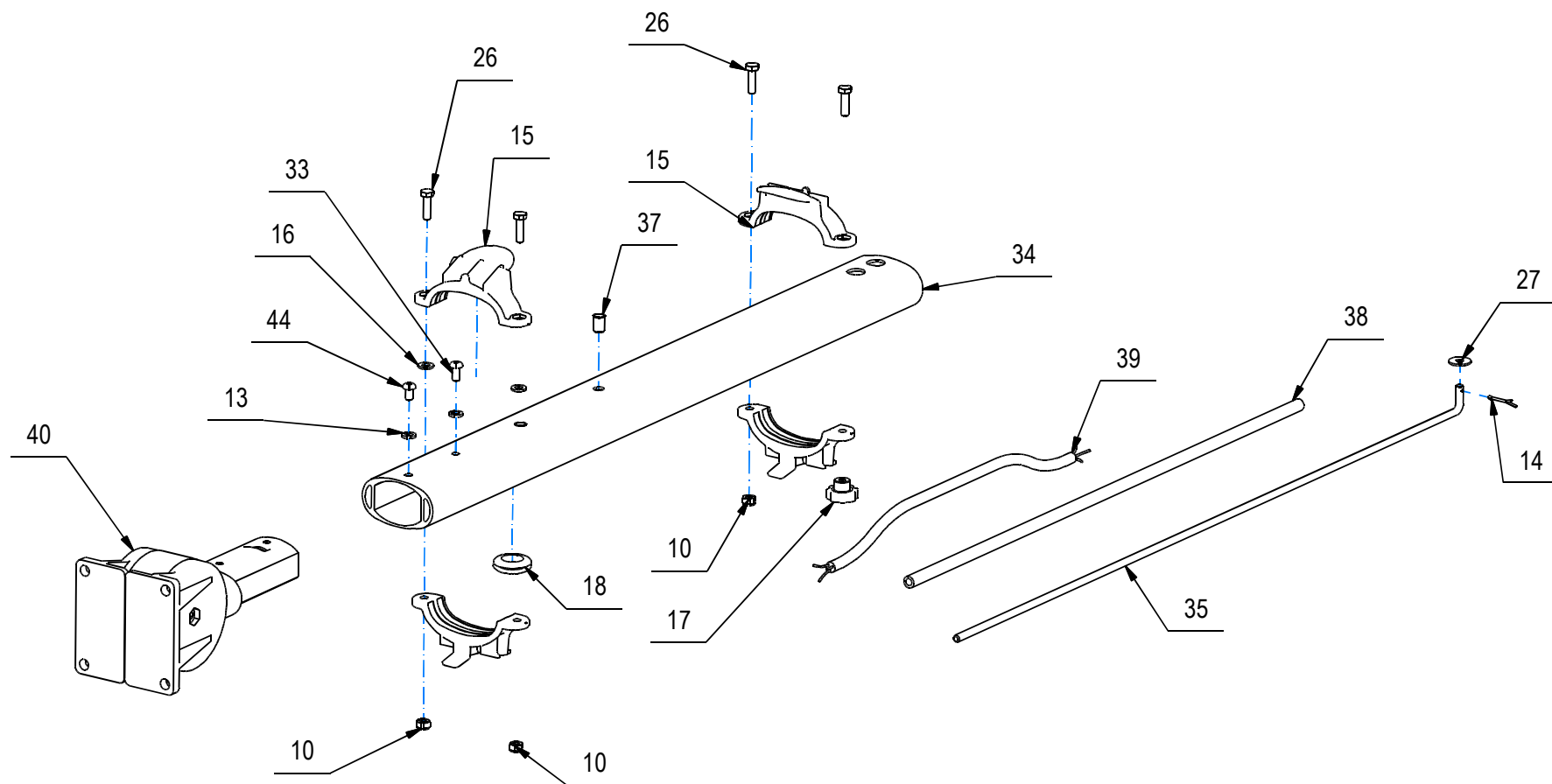


CR-01 GR. MAN. OVALE 16A 115V 7016 ORB

01

POS	CODICE	QTÀ	DESCRIZIONE	DENOMINATION	DESCRIPTION	BENENNUNG	DESCRIPCION
1	416493	1	LEVA SGANCIO MANUBRIO UNIVERSALE V2	LEVER	LEVIER	HEBEL	PALANCA
2	416504	1	LEVA RUBINETTO SERBATOI ECOLAB V2	LEVER	LEVIER	HEBEL	PALANCA
3	439036	2	LEVA INTERRUETTORE MAN. OVALE V2 RAL 9005	LEVER	LEVIER	HEBEL	PALANCA
4	401122	1	LEVA DI BLOCCO V2 RAL 9005	LEVER V2 RAL 9005	LEVIER V2 RAL 9005	HEBEL V2 RAL 9005	PALANCA V2 RAL 9005
5	416501	1	STAFFA MOLLA V2 RAL 9005	SUPPORT V2 RAL 9005	ATTAQUE V2 RAL 9005	HALTERUNG V2 RAL 9005	SOPORTE FIJADOR V2 RAL 9005
6	416723	1	MOLLA LEVA DI BLOCCO	SPRING	RESSORT	FEDER	RESORTE
7	439037	1	TONDINO RINFORZO ZINCATO	REINFORCEMENT	RENFORCEMENT	VERSTÄRKUNG	REFUERZO MANILLAR
8	439034	1	CORPO MANUBRIO OVALE V2 RAL 7016 P.432 C	HANDLE BAR BODY	CORPS DE TIMON	FÜHRUNGSHOLMKÖRPER	CUERPO MANILLAR
9	416828	1	FASCETTA PL.4,8X200 - OCC.D.5 RUFFO	CLAMP	COLLIER	BRIDE	ABRAZADERA
10	409082	7	DADO M6x6 AUTOBL UNI 7474 ZINC	LOCK NUT	ECROU AUTOFREINES	SICHERUNGSMUTTER	TUERCA AUTOBLOCANTE
11	408506	9	VITE D.5X20 AUTOF. POLI LOCK	SCREW	VIS	SCHRAUBE	TORNILLO
12	408799	4	VITE M6X35 TCEI UNI 5931	SCREW	VIS	SCHRAUBE	TORNILLO
13	409164	2	ROSETTA GROWER 6x2,5x1,8 ASA B27 ZINC	LOCK WASHER	RONDELLE FREIN	ZAHNSCHEIBE	ARANDELLA DENTADA
14	409382	1	COPIGLIA D2 X20 UNI 1336	SPLIT PIN	GOUPILLE	SPLINT	PASADOR DE ALETAS
15	437831	4	STAFFA SUPPORTO SERBATOIO	SUPPORT	ATTAQUE	HALTERUNG	SOPORTE FIJADOR
16	409156	2	ROSETTA 6x12x1,6 UNI 6592 ZINC	WASHER	RONDELLE	UNTERLAGSCHEIBE	ARANDELA
17	410230	1	POMELLO VBA-25 M6 F.P.	KNOB	POMMEAU	RENDELSCHRAUBE	POMO
18	416820	1	PASSACAVO PER FORO D.25 Di=15	FAIRLEAD	PASSE-CABLE	KABELDURCHGANG	GUIACABLE
19	439035	1	SPORTELLA MAN. OVALE V2 RAL 7016 P. 432C	REAR DOOR	PORTILLON ARRIERE	RÜCKWAND	PORTEZUELA TRASERA
20	416817	1	CAPPUCCIO DISGIUNTORE	PROTECTION CAP	CALOTTE DE PROTECTION	SICHERHEITSKAPPE	CAPUCHO DE PROTECCION
21	416811	1	INTERRUPTORE AVVIAMENTO	SWITCH	INTERRUPTEUR	SCHALTER	INTERRUPTOR
22	409765	1	PRESSACAVO A PONTICELLO	CABLE GRIP	PRESSE-ETOUPE	KABELVERSCHRAUBUNG	RACOR CABLE
23	418269	2	VITE D.2,9x19 AUTOF. ZINC UNI 6954	SELF-TAPPING SCREW 2,9x19 TC T.C. ZNT	VIS	SCHRAUBE	TORNILLO
24	417828	1	PASSACAVO NERO	FAIRLEAD	PASSE-CABLE	KABELDURCHGANG	GUIACABLE
25	416787	2	VITE D.4,8x19 AUTOF. UNI 7981 DERK	SCREW	VIS	SCHRAUBE	TORNILLO
26	407666	4	VITE M6X20 TE UNI 5739 ZINC	SCREW	VIS	SCHRAUBE	TORNILLO
27	409160	1	ROSETTA 6x18x1,5 UNI 6593 ZINC	WASHER	RONDELLE	UNTERLAGSCHEIBE	ARANDELA
28	416808	1	DISGIUNTORE DI SIC. 16A	CONTACT BREAKER	DISJONCTEUR	AUFTRENNER	DISYUNTOR MECANICO
29	440567	1	CAVO AWG 3x14x500 115V SPINA USA	CABLE	CABLE	KABEL	CABLE
30	440824	1	MOLLA COMPRESIONE H.20 x Di.11.6x SP.1	SPRING	RESSORT	FEDER	RESORTE
31	408634	1	VITE M4x20 TE UNI 5739 ZINC	SCREW	VIS	SCHRAUBE	TORNILLO
32	416789	1	VITE D.4,8x13 AUTOF. UNI 7981 DERK	SCREW	VIS	SCHRAUBE	TORNILLO
33	416777	1	VITE M6x12 TBEI UNI7380 ZN	SCREW	VIS	SCHRAUBE	TORNILLO

CR-01 GR. MAN. OVALE 16A 115V 7016 ORB
HANDLEBAR



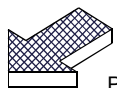
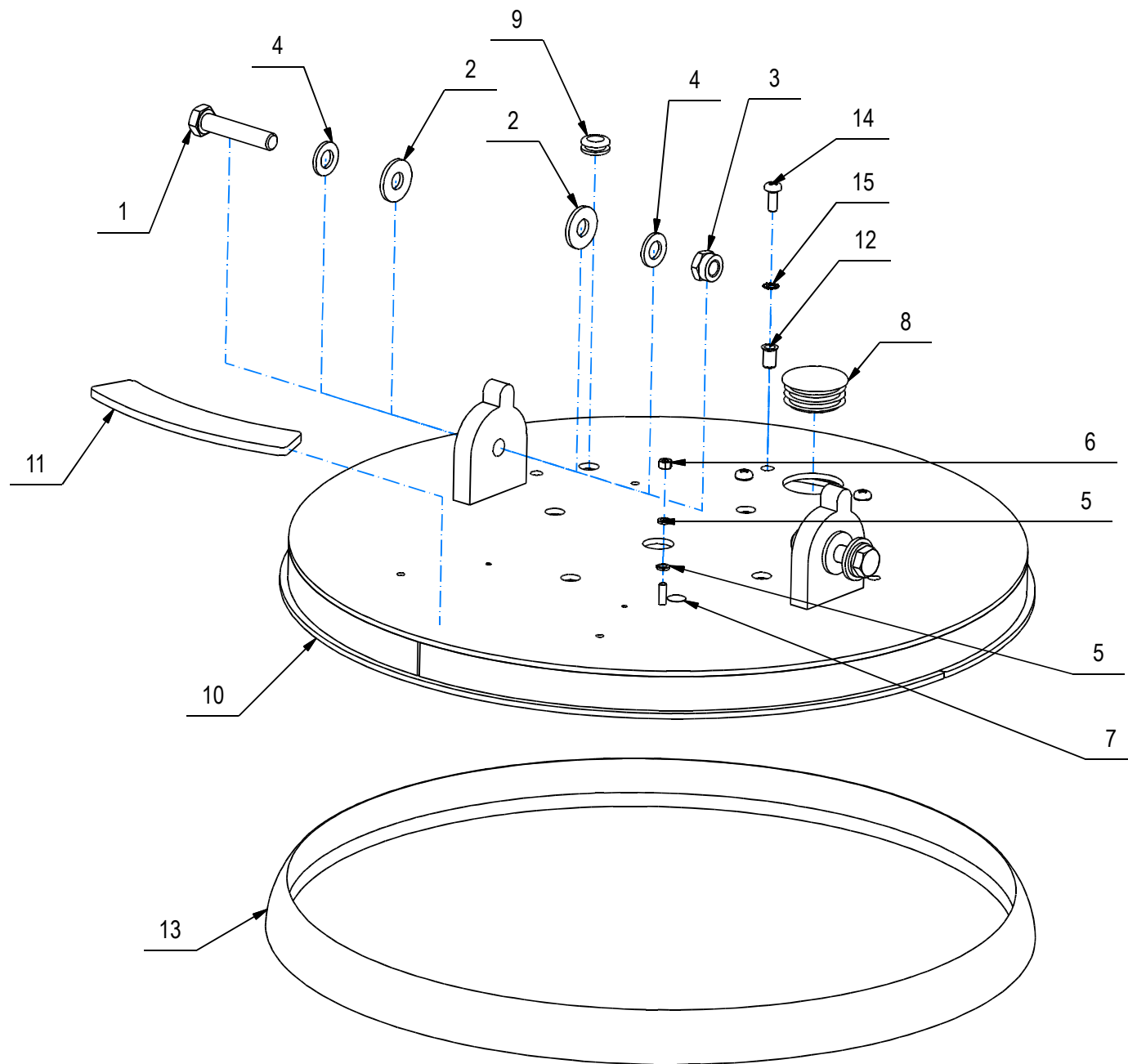
CR-01 GR. MAN. OVALE 16A 115V 7016 ORB

01

POS	CODICE	QTÀ	DESCRIZIONE	DENOMINATION	DESCRIPTION	BENENNUNG	DESCRIPCION
35	442314	1	ASTA SGANCIO MANUBRIO PER TUBO L=678	ROD	TIGE	STANGE	VARILLA
36	439950	1	PRESA F 2P+T 10A FASTON 6,3 COLORE NERO	PLUG	PRISE	STECKDOSE	ENCHUFE
37	410545	4	INSERTO M6X15 T. RIDOTTA SP.1-3(FORO 9)	INSERT	ENCART	EINSATZ	INSERTO
38	411366	1	TUBO VITREO D10x540	HOSE	TUYAU	SCHLAUCH	TUBO DE GOMA
39	441024	1	CAVO AWG 3X14X1680 MASSA FAST.(PER 115V)	CABLE	CABLE	KABEL	CABLE
40	227841	1	PREM. SNODO MAN. F.C. ZAMA PIGNONE CIRC.	ARTICULATION	ARTICULATION	GELENK	ARTICULACION
41	439033	1	COPERCHIO MAN. OVALE V2 RAL 7016 P.432C	HANDLE BAR COVER V2 RAL 7016 P.432C	COUVERCLE DE TIMON V2 RAL 7016 P.432C	DECKEL FÜHRUNGSHOLM V2 RAL	TAPA MANILLAR V2 RAL 7016 P.432C
43	204524	4	SPINA D=6 L=57 AVP	SPRING PIN	FOURCHETTE	SPRINGSPIZ	PASADOR ELASTICO
44	408809	1	VITE M6X10 TCBEI ISO 7380 ZINC.	SCREW	VIS	SCHRAUBE	TORNILLO

CR-02 GRUPPO BASAMENTO TOR 50 RAL 7016

ENGINE BASE



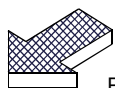
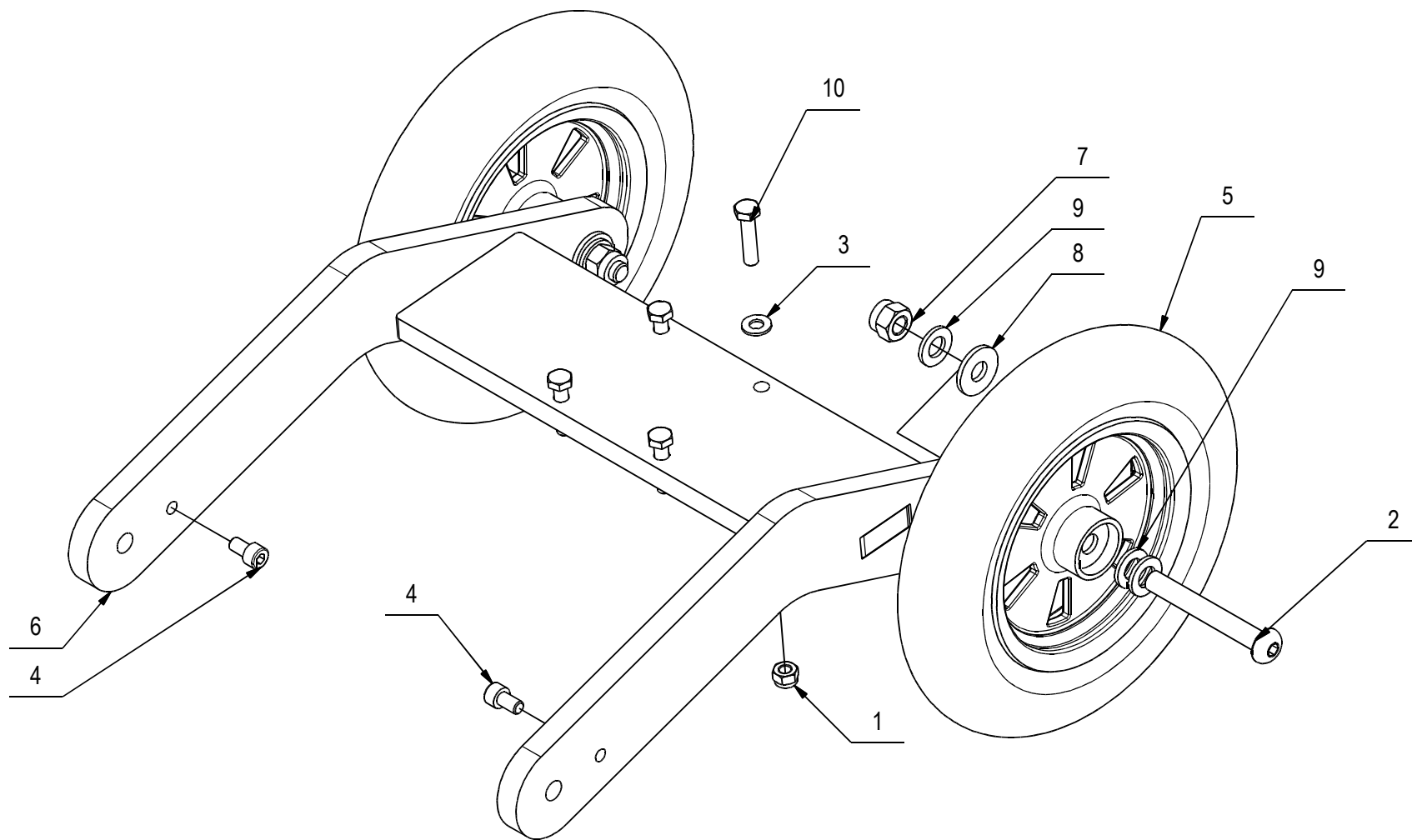
CR-02 GRUPPO BASAMENTO TOR 50 RAL 7016

02

POS	CODICE	QTÀ	DESCRIZIONE	DENOMINATION	DESCRIPTION	BENENNUNG	DESCRIPCION
1	408749	2	VITE M12x60 TE UNI 5737 ZINC.	SCREW	VIS	SCHRAUBE	TORNILLO
2	441111	6	RONDELLA d=10.5 D=30 s=3 NYLON NERO	WASHER	RONDELLE	UNTERLAGSCHEIBE	ARANDELA
3	409092	2	DADO M12 AUTOB. UNI 7474 DIN 985 ZINC	NUT	ECROU	MUT	TUERCA
4	417979	4	RONDELLA 13x24 DIN 9021 ZINC	WASHER	RONDELLE	UNTERLAGSCHEIBE	ARANDELA
5	409154	2	ROSETTA GROWER 5x1,6 ZINC	WASHER	RONDELLE	UNTERLAGSCHEIBE	ARANDELA
6	409036	1	DADO M5x5 UNI 5587 ZINC	NUT	ECROU	MUTTER	TUERCA
7	416649	1	ETICHETTA CAVI MASSA D=13	DECAL	ETIQUETTE	SCHILD	ETIQUETA
8	442292	1	TAPPO IN PLASTICA PER TUBOLARE DIAM. 45	CAP	CAPUCHON	KAPPE	TAPON
9	443358	1	PASSACAVO IN PVC NERO D=20 d=12 S=9	FAIRLEAD	PASSE-CABLE	KABELDURCHGANG	GUIACABLE
10	446688	1	BASAMENTO TOR 50 RAL 7016	BRUSH BASE	EMBASE DE BROUSSE	BÜRSTENGESTELL	BANCADA CEPILLO
11	446689	1	GOMMA APPOGGIO BASAMENTO	REAR RUBBER	BAVETTE ARRIERE	HINTERER SAUGGUMMI	GOMA TRASERA
12	438962	4	INSERTO M6 TONDO FILO LAMIERA (SP 3-5,5)	INSERT	ENCART	EINSATZ	INSAERTO
13	447708	1	PROFILO PARAURTI TOR 50	BUMPER	BUTEE	PUFFER	PARACHOQUES
14	408860	4	VITE M6x16 TCTC UNI 7687 ZINC	SCREW	VIS	SCHRAUBE	TORNILLO
15	417991	4	RONDELLA D.6,4x12 DENTEL.INT-E UNI 8842	WASHER	RONDELLE	UNTERLAGSCHEIBE	ARANDELA

CR-02A GRUPPO TELAIO TOR 43
BODYWORK ASSEMBLY

02 A



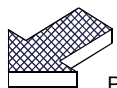
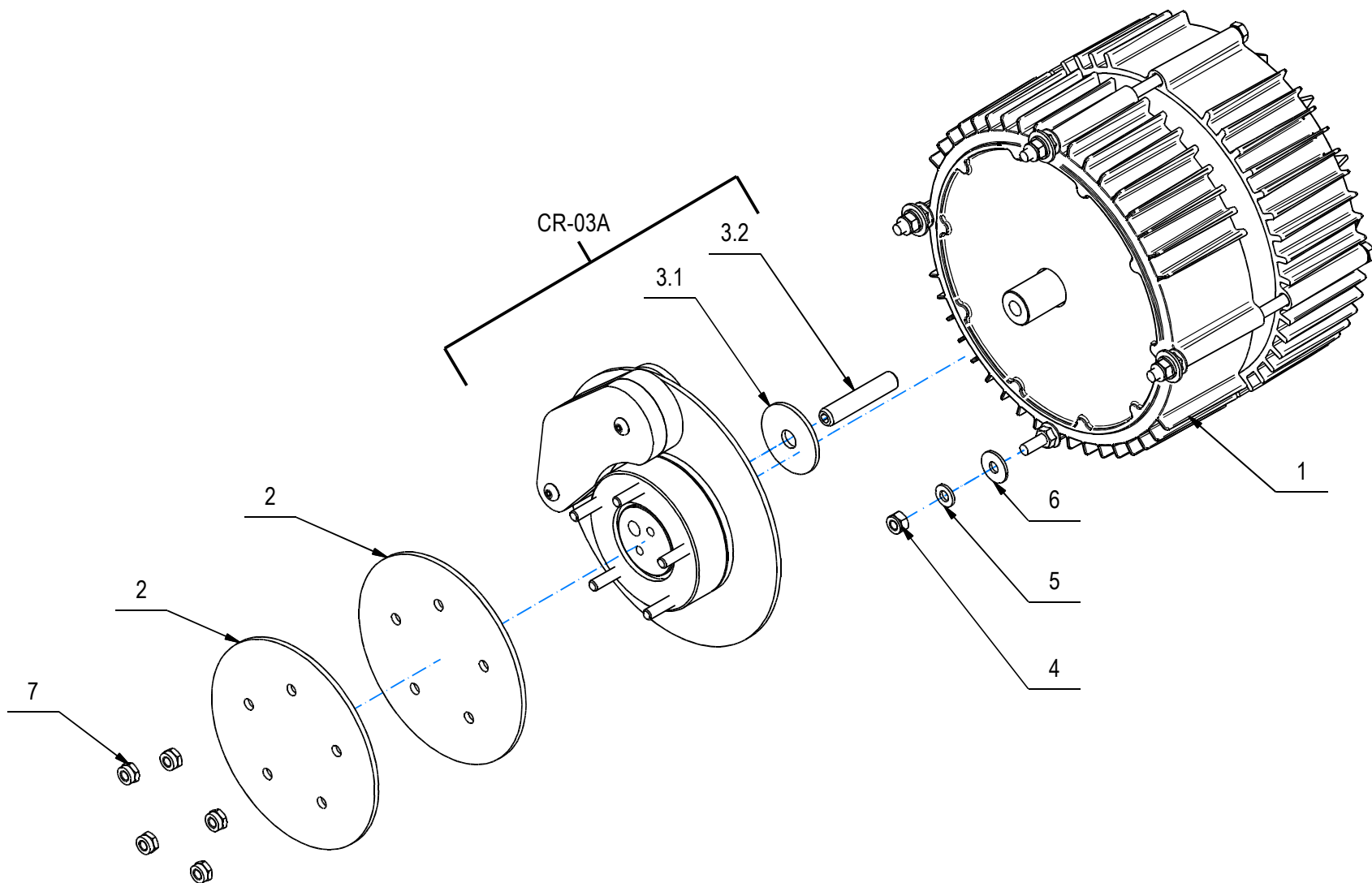
CR-02A GRUPPO TELAIO TOR 43

02 A

POS	CODICE	QTÀ	DESCRIZIONE	DENOMINATION	DESCRIPTION	BENENNUNG	DESCRIPCION
1	409085	4	DADO M8x8.5 AUTOBL. UNI 7474 ZINC	LOCK NUT	ECROU AUTOFREINES	SICHERUNGSMUTTER	TUERCA AUTOBLOCANTE
2	442865	2	VITE M12X90 TBEI UNI 7380 ZINC	SCREW	VIS	SCHRAUBE	TORNILLO
3	409175	4	ROSETTA 8x17x1,6 UNI 6592 ZINC.	WASHER	RONDELLE	UNTERLAGSCHEIBE	ARANDELA
4	415768	2	VITE M8x14 TCEI UNI 5931 ZINC.	SCREW	VIS	SCHRAUBE	TORNILLO
5	442860	2	RUOTA D=250 d=12 s=50 GRIGIA SUPERELAS.	WHEEL	ROUE	RAD	RUEDA
6	441109	1	TELAIO	FRAME	CHASSIS	RAHMEN	BASTIDOR
7	409093	2	DADO M12x15 AUTOBL. UNI 7473 ZINC	NUT	ECROU	MUTTER	TUERCA
8	441111	4	RONDELLA d=10.5 D=30 s=3 NYLON NERO	WASHER	RONDELLE	UNTERLAGSCHEIBE	ARANDELA
9	417979	6	RONDELLA 13x24 DIN 9021 ZINC	WASHER	RONDELLE	UNTERLAGSCHEIBE	ARANDELA
10	408678	4	VITE M8X35 TE UNI 5739 ZINC	SCREW	VIS	SCHRAUBE	TORNILLO

CR-03 GR.MOTORE ORBITALE 115V HILLYARD

ORBITAL ENGINE 115V HILLYARD ASSY

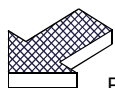
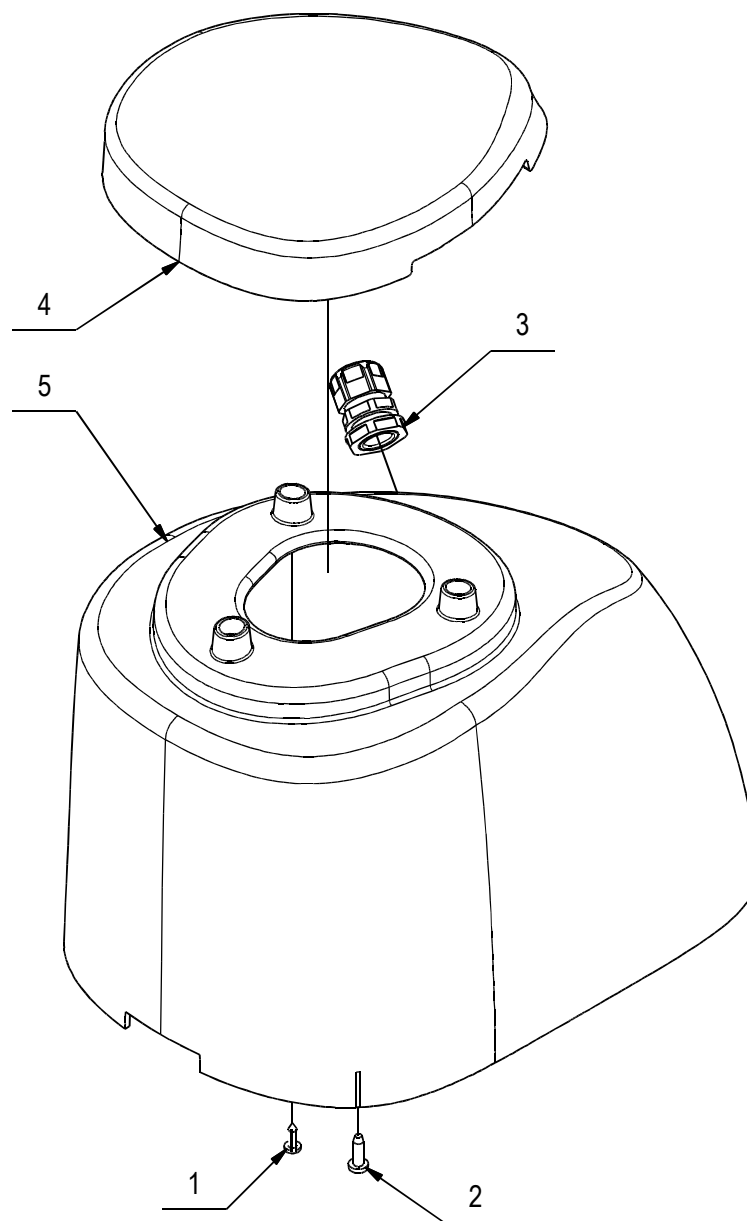


CR-03 GR.MOTORE ORBITALE 115V HILLYARD

03

POS	CODICE	QTÀ	DESCRIZIONE	DESCRIPTION	DESIGNATION	BEZEICHNUNG	DESCRPCIÓN
1	441820	1	MOTORE HIQ ORBIT. 1100W 100/115V 50/60HZ	MOTOR	MOTEUR	MOTOR	MOTOR
2	441776	2	FLANGIA SPAZZOLA/DISCO PER ORBITALE	FLANGE	FLASQUE	FLANSCH	BRIDA
CR-03A	447889	1	MASSA ORBITANTE PER TOR 50	ORBITAL MECHANISM	MÉCANISME ORBITAL	ORBITALER MECHANISMUS	MECANISMO ORBITAL
3.1	415927	1	ROSETTA 10x40 UNI 6593 ZINC	WASHER	RONDELLE	UNTERLAGSCHEIBE	ARANDELA
3.2	441611	1	GRANO M10X50 E.I. NERO CL12.9 UNI 5923	DOWEL	VIS CYLINDRIQUE	MADENSCHRAUBE	TORNILLO
4	409082	4	DADO M6x6 AUTOBL UNI 7474 ZINC	LOCK NUT	ECROU AUTOFREINES	SICHERUNGSMUTTER	TUERCA AUTOBLOCANTE
5	409156	4	ROSETTA 6x12x1,6 UNI 6592 ZINC	WASHER	RONDELLE	UNTERLAGSCHEIBE	ARANDELA
6	409160	4	ROSETTA 6x18x1,5 UNI 6593 ZINC	WASHER	RONDELLE	UNTERLAGSCHEIBE	ARANDELA
7	415901	5	DADO M6 AUTOBL. UNI 7474 INOX	NUT	ECROU	MUTTER	TUERCA

CR-04 GR. CARTER MOT. FIMAP FM43 ORBITAL
GROUP MOTOR COVER

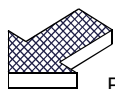
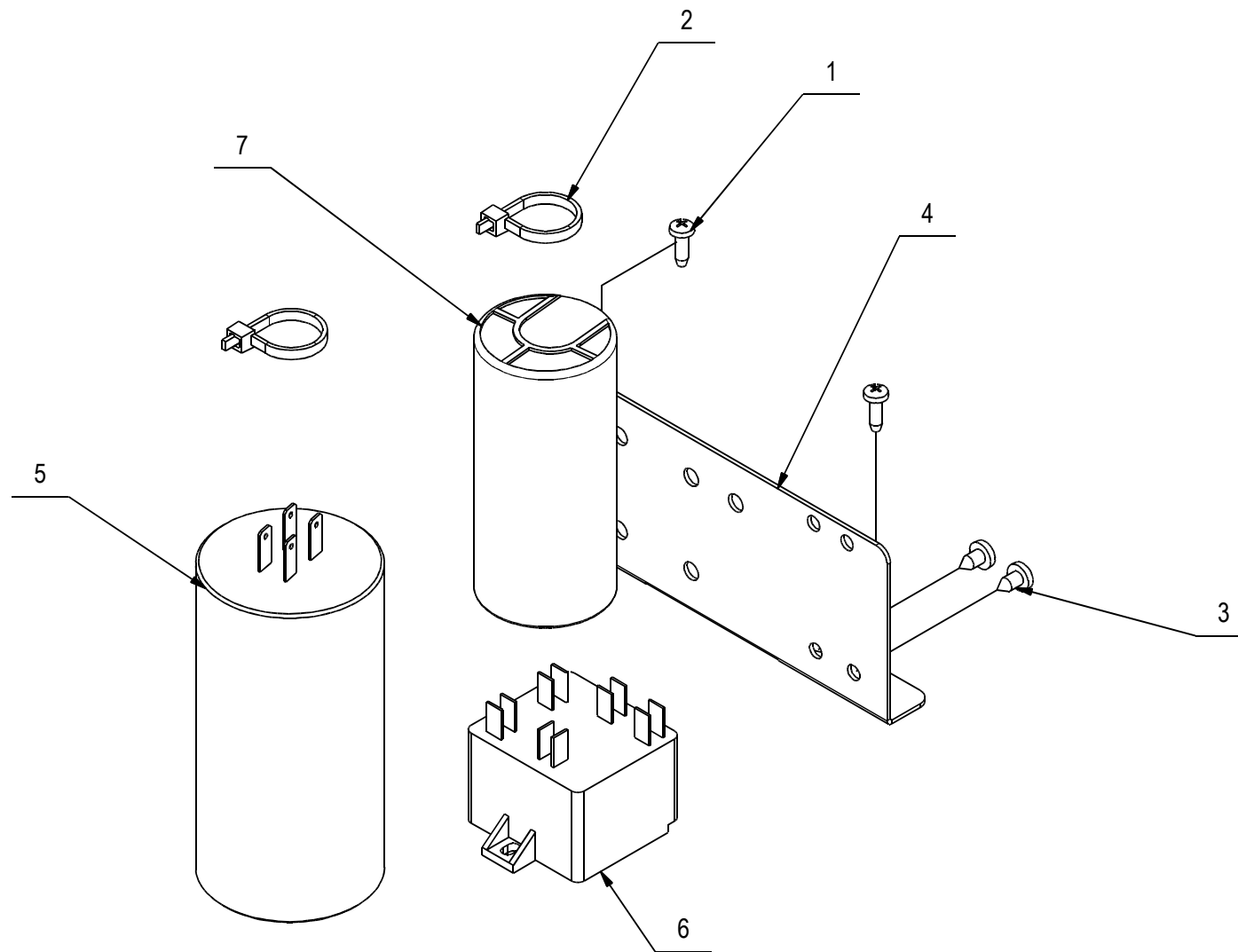


CR-04 GR. CARTER MOT. FIMAP FM43 ORBITAL

04

POS	CODICE	QTÀ	DESCRIZIONE	DENOMINATION	DESCRIPTION	BENENNUNG	DESCRIPCION
1	416786	3	VITE D.4,2x13 AUTOF. UNI 7981 DERK	SCREW	VIS	SCHRAUBE	TORNILLO
2	418277	4	VITE D.4,8x16 TCTC AUTOF. SPUNT. NERA	SELF-TAPPING SCREW	VIS	SCHRAUBE	TORNILLO
3	428395	1	PRESSACAVO PG 13,5 + GHIERA	FAIR-LEAD	PRESSE-ETOUPE	KABELVERSCHRAUBUNG	RACOR CABLE
4	437835	1	CALOTTA CARTER MOTORE	COVER RAL 5012	COUVERCLE RAL 5012	DECKEL RAL 5012	TAPA RAL 5012
5	224864	1	CARTER MOT. FIMAP FM43 ORBITAL RAL 5012	COVER	CARTER	ABDECKUNG	CARTER

CR-05 GR.IMP.EL. TOR43 100/115V 50/60HZ
ELECTRIC COMPONENTS ASSEMBLY

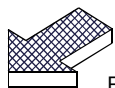
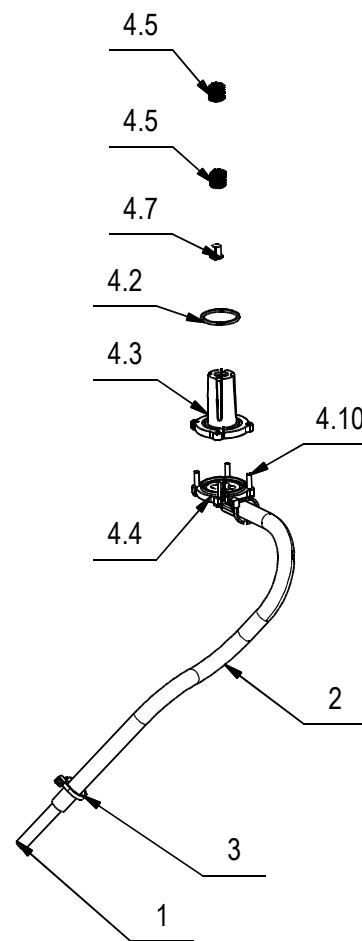
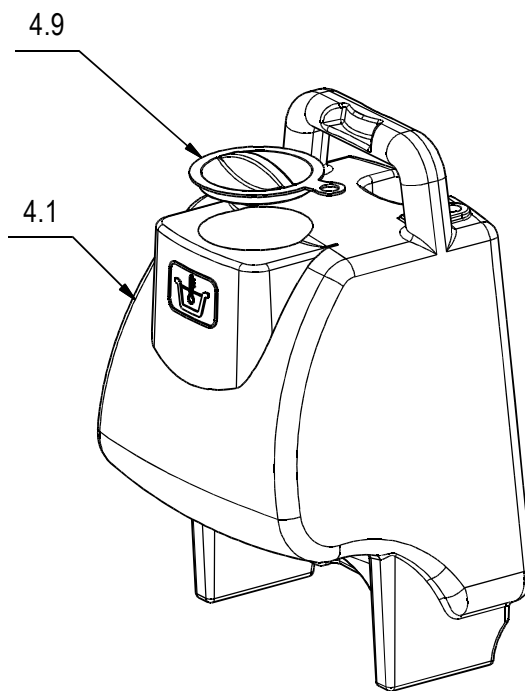
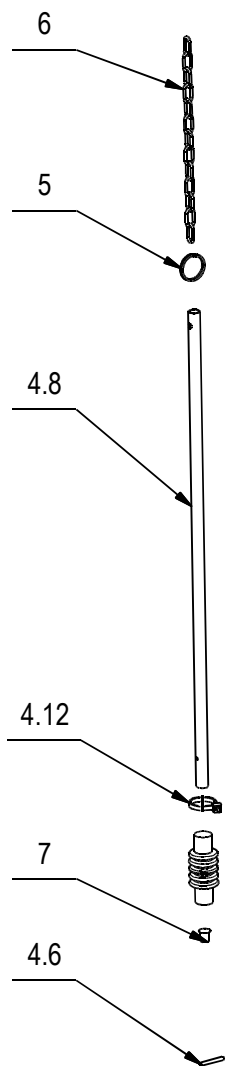


CR-05 GR.IMP.EL. TOR43 100/115V 50/60HZ

05

POS	CODICE	QTÀ	DESCRIZIONE	DENOMINATION	DESCRIPTION	BENENNUNG	DESCRIPCION
1	408877	2	VITE D.4,2x13 AUTOF. NICH UNI 6954	SCREW	VIS	SCHRAUBE	TORNILLO
2	410275	2	FASCETTA PLASTICA 3,6x140 BIANCA	CLAMP	COLLIER	BRIDE	ABRAZADERA
3	416788	2	VITE D.4,8x9,5 AUTOF. UNI 7981 DERK	SCREW	VIS	TORNILLO	SCHRAUBE
4	442197	1	SUPP. COMPONENTI ELETTRICI TP43 100/115V	SUPPORT	SUPPORT	HALTERUNG	SOPORTE
5	436775	1	COND. DI LAV. 145-174MF 110 V	CONDENSER	CONDENSATEUR	KONDENSATOR	CONDENSADOR
6	445598	1	KLIXON 100V 50/60HZ	RELAY	RELAIS	RELAIS	RELE
7	443822	1	CONDEN. AVV. 430-516MF 125V RES.SCAR+CAP	START CONDENSER	CONDENSATEUR DE DEMARRAGE	STARTEN KONDENSATOR	CONDENSATOR DE ARRANQUE

CR-06 GRUPPO SERB. SOFFIAGGIO X ORBITALE TANK RESERVOIR



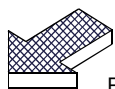
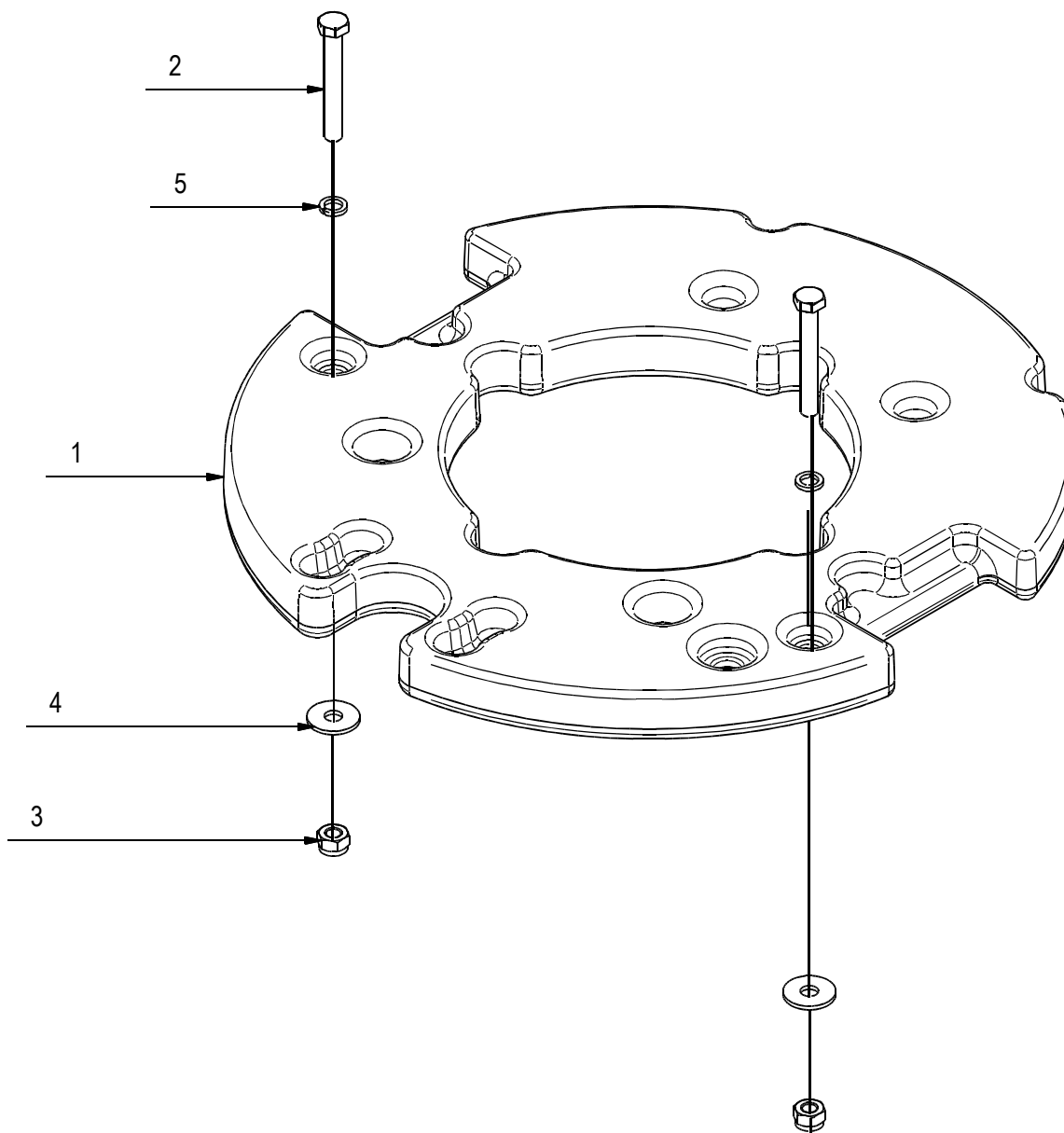
CR-06 GRUPPO SERB. SOFFIAGGIO X ORBITALE

06

POS	CODICE	QTÀ	DESCRIZIONE	DENOMINATION	DESCRIPTION	BENENNUNG	DESCRIPCION
1	416844	1	TUBO RILSAN 10X8 BIANCO L=0,06MT	PIPE	TUBE	ROHR	TUBO
2	411366	1	TUBO D=10 L=620 VITREO	PIPE	TUBE	ROHR	TUBO
3	416829	2	FASCETTA PLASTICA 290X4,8 RUFFO	CLAMP	COLLIER	BRIDE	ABRAZADERA
4	223621	1	PREM. SERBATOIO SOFFIAGGIO	PRE ASSEMBLY TANK	PRE-ASSEMBLAGE RESERVOIRE	VORMONTAGE TANK	PRE-ENSAMBLAJE TANQUE
4.1	437838	1	SERBATOIO MONOSP. SOFFIAGGIO	TANK	RESERVOIR	TANK	TANQUE
4.2	408612	1	GUARNIZIONE OR 28,25x2,62	GASKET	JOINT	DICHTUNG	JUNTA
4.3	401129	1	GUIDA ASTA RUBINETTO	GUIDE	GUIDE	FÜHRUNG	GUIA
4.4	401130	1	RUBINETTO LATO USCITA	COCK	ROBINET	WASSERHAHN	GRIFO
4.5	408109	2	MOLLA COMPRESIONE 13,5X36X1	SPRING	RESSORT	FEDER	RESORTE
4.6	409365	1	SPINA ELASTICA INOX 3X24 UNI EN ISO 8752	SPRING PIN	FOURCHETTE	SPANNSTIFT	PASADOR
4.7	409849	1	TAPPO VALVOLA	PLUG	BOUCHON	STOPFEN	TAPON
4.8	416505	1	ASTA TIRANTE RUBINETTO	ROD	TIGE	STANGE	VARILLA
4.9	437839	1	TAPPO PER SERBATOIO SOFFIAGGIO MONOSP.	CAP	CAPUCHON	KAPPE	TAPON
4.10	438419	4	VITE AUTOFIL. 3.9X19 PUNTA TRONCA ZINC.	SCREW	VIS	SCHRAUBE	TORNILLO
4.11	400200	1	SOFFIETTO PER ASTA SERBATOIO	BELLOWS	SOUFFLET	FALTENBALG	FUELLE
4.12	416829	1	FASCETTA PLASTICA 290X4,8 RUFFO	CLAMP	COLLIER	BRIDE	ABRAZADERA
5	416832	1	ANELLO ASTA TIRANTE RUBINETTO	RING	ANNEAU	RING	ANILLO
6	225115	1	CATENELLA 13 ANELLI	CHAIN	CHAINE	KETTE	CADENA
7	416822	1	TAPPO KSS HP08	CAP	CAPUCHON	KAPPE	TAPON

CR-07 GRUPPO PESO ORBITALE

GROUP MASS



CR-07 GRUPPO PESO ORBITALE

07

POS	CODICE	QTÀ	DESCRIZIONE	DENOMINATION	DESCRIPTION	BENENNUNG	DESCRIPCION
1	449441	1	PESO IN FUSIONE PER TOR	WEIGHT	POIDS	GEWICHT	PESO
2	408693	2	VITE M8X60 TE UNI 5739 ZINC	SCREW	VIS	SCHRAUBE	TORNILLO
3	409085	2	DADO M8x8.5 AUTOBL. UNI 7474 ZINC	LOCK NUT	ECROU AUTOFREINES	SICHERUNGSMUTTER	TUERCA AUTOBLOCANTE
4	418001	2	ROSETTA 8,4x24x2 UNI 6593 ZNT	WASHER	RONDELLE	UNTERLAGSCHEIBE	ARANDELA
5	415946	2	ROSETTA M8 GROWER UNI 1751	LOCK WASHER	RONDELLE FREIN	ZAHNSCHEIBE	ARANDELLA DENTADA