



# **Spare Parts List**

**(1.006-712.0)**

**ICS17**

## ***How to Use this Spare Parts List***

---

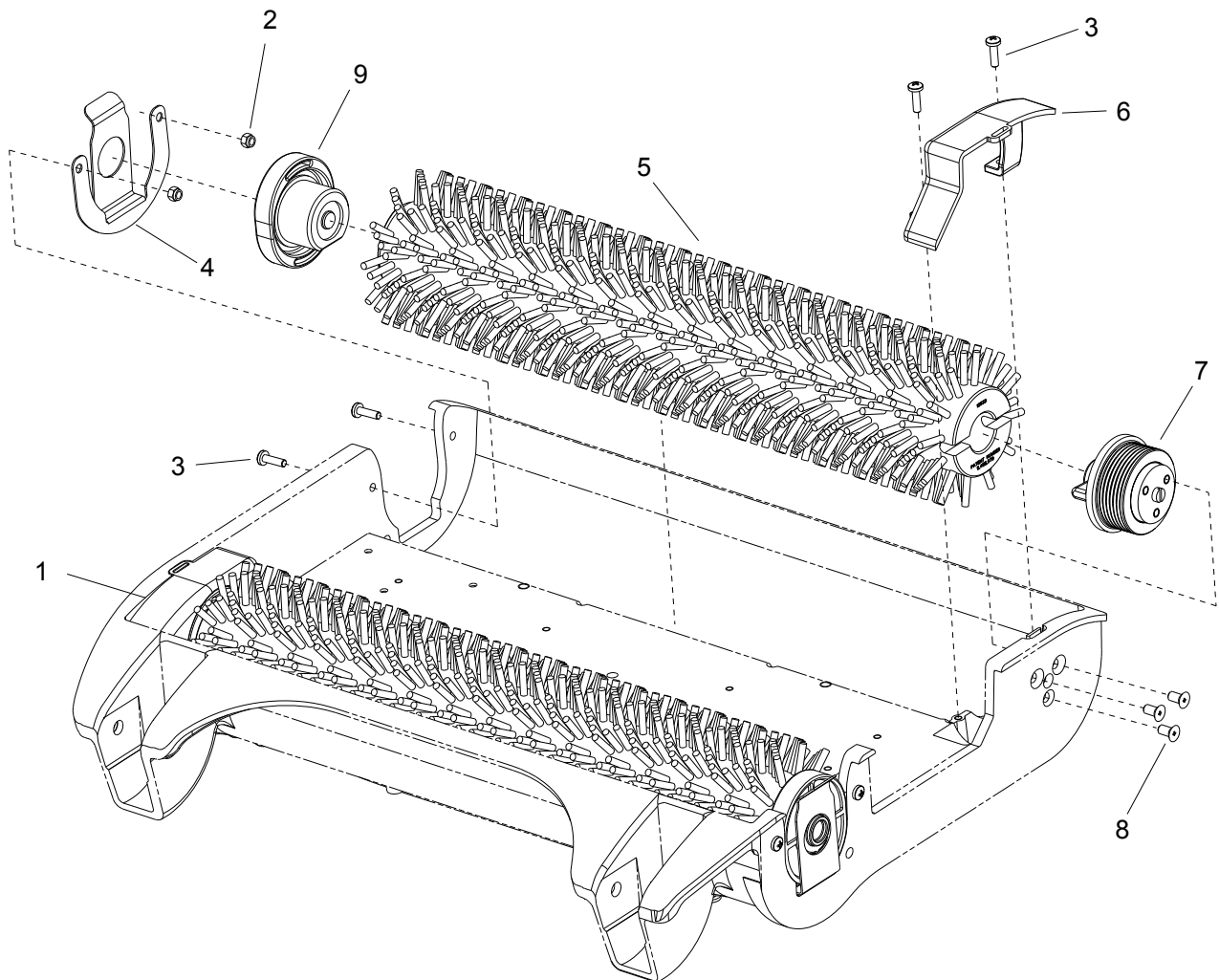
The PARTS LIST section contains assembled parts illustrations and corresponding parts list. The parts lists include a number of columns of information:

- REF - column refers to the reference number on the parts illustration.
- PART NO. - column lists the part number for the part.
- QTY - column lists the quantity of the part used in that area of the machine.
- DESCRIPTION - column is a brief description of the part.
- SERIAL NO. FROM - If this column has an (\*) and a Reference number, see the SERIAL NUMBERS page in the back of your manual. If column has two asterisk (\*\*), call manufacturer for serial number. The serial number indicates the first machine the part number is applicable to. The main illustration shows the most current design of the machine. When a boxed illustration is shown, it displays the older design.
- NOTES - column for information not noted by the other columns.

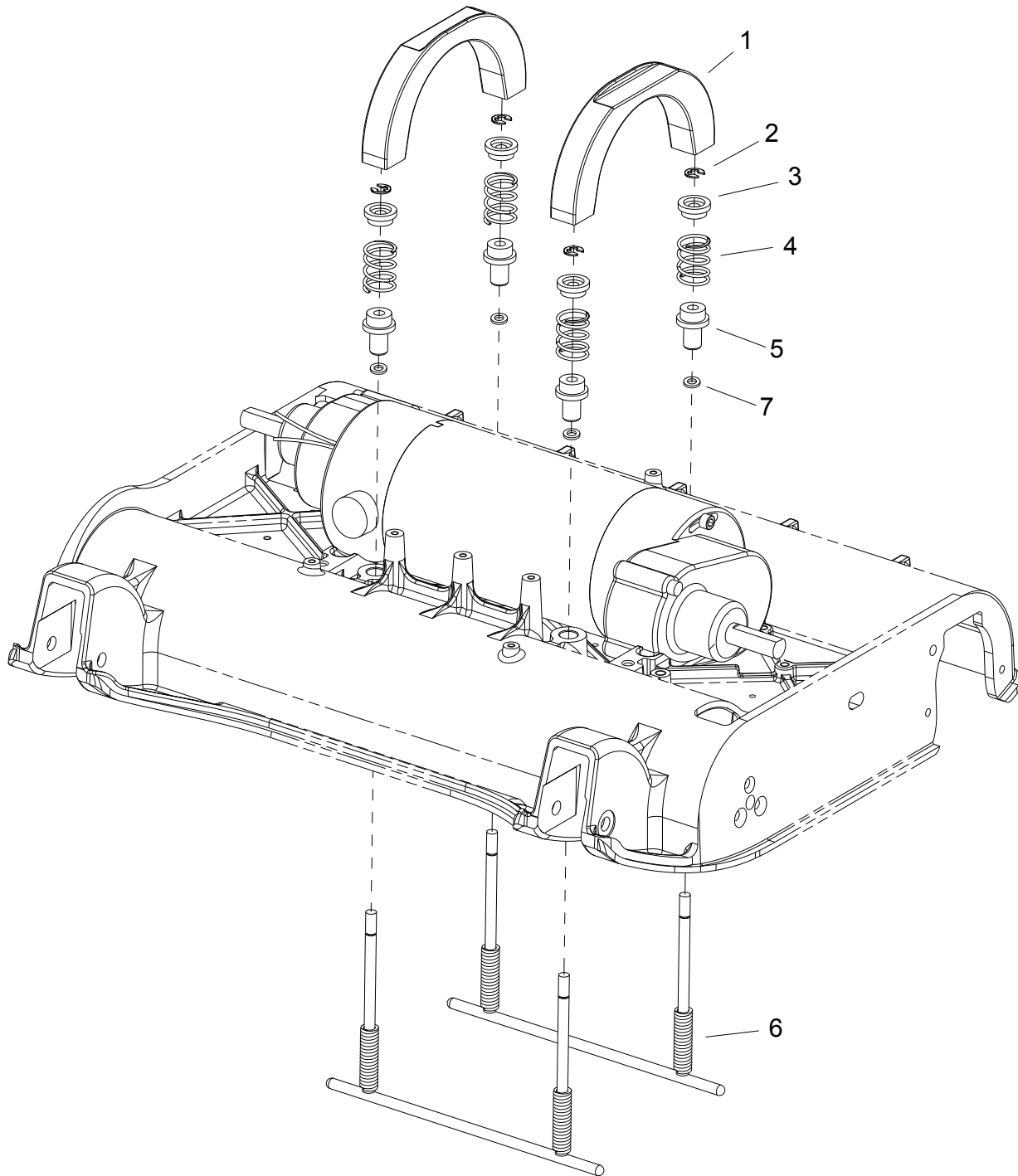
**NOTE:** *If a service or option kit is installed on your machine, be sure to keep the KIT INSTRUCTIONS which came with the kit. It contains replacement parts numbers needed for ordering future parts.*

**How to Use this Spare Parts List . . . . . 2**  
**Table of Contents . . . . . 3**  
Brush . . . . . 4  
Brush Lift . . . . . 6  
Decal . . . . . 8  
Electrical 120V . . . . . 10  
Frame Deluxe . . . . . 12  
Handle . . . . . 14  
Hopper . . . . . 16  
Motor . . . . . 18  
Rear Wheel . . . . . 20  
Solution Tank - Deluxe . . . . . 22  
Wiring - 120V - Deluxe . . . . . 24

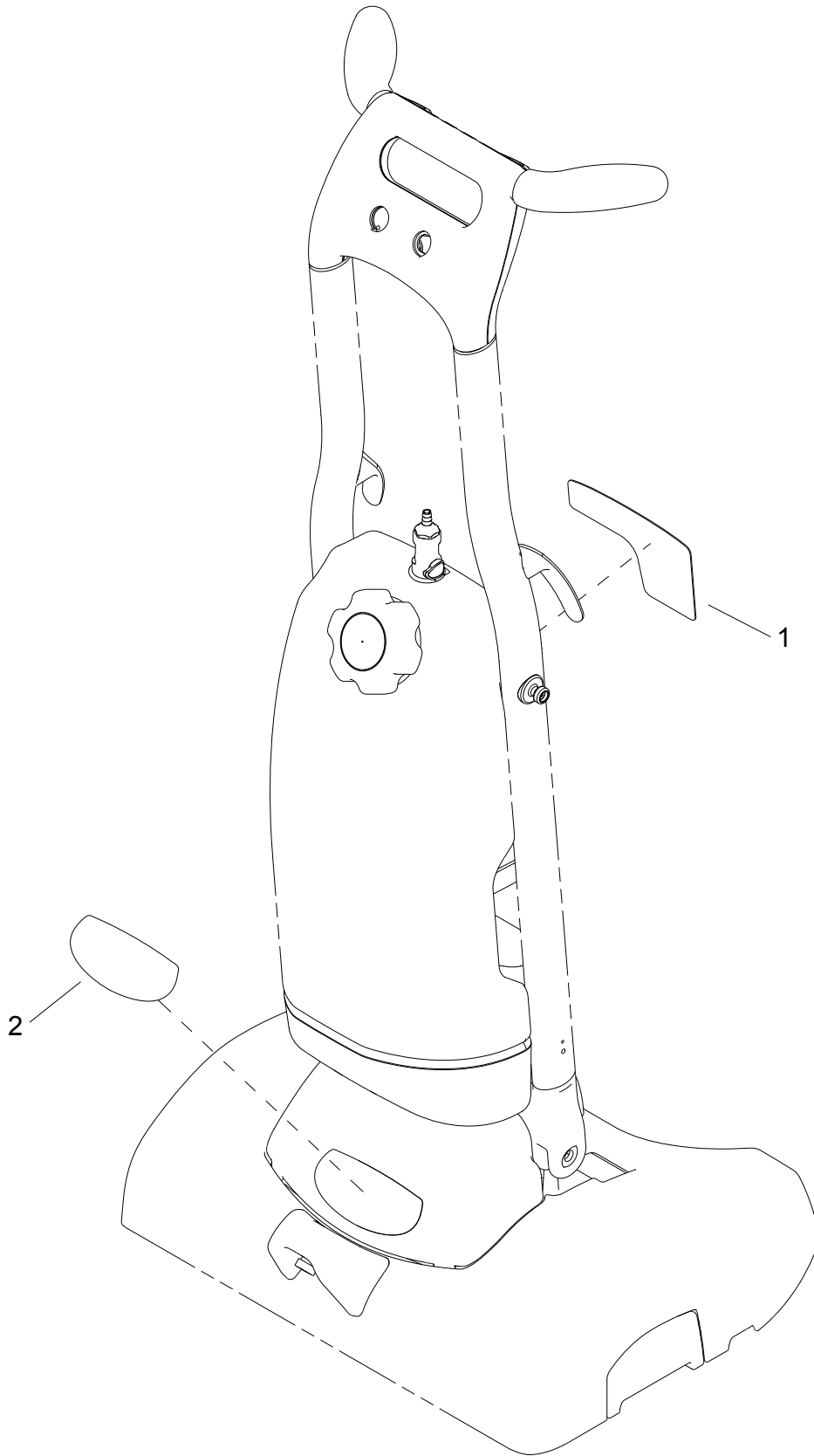
# Brush



REF	PART NO.	QTY	DESCRIPTION	SERIAL NO. FROM	NOTES
1	86217340	1	COVER, BELT, RIGHT		
2	86172630	4	NUT, M4, LK, SST		
3	86172870	8	SCR, M4X14, PHMS, DIN7985 SST		
4	86322460	2	SPRING CLIP, BRUSH ICAPSOL		
5	86214850	2	ASSY, BRUSH & HUB		INCLUDES 86214840
6	86217330	1	COVER, BELT, LEFT		
7	86345210	2	ASM, BRUSH DRIVE		
8	86172840	6	SCR, M5X10, PHS, FHD, SST		
9	86214840	2	ASSY, BRUSH, COAST		

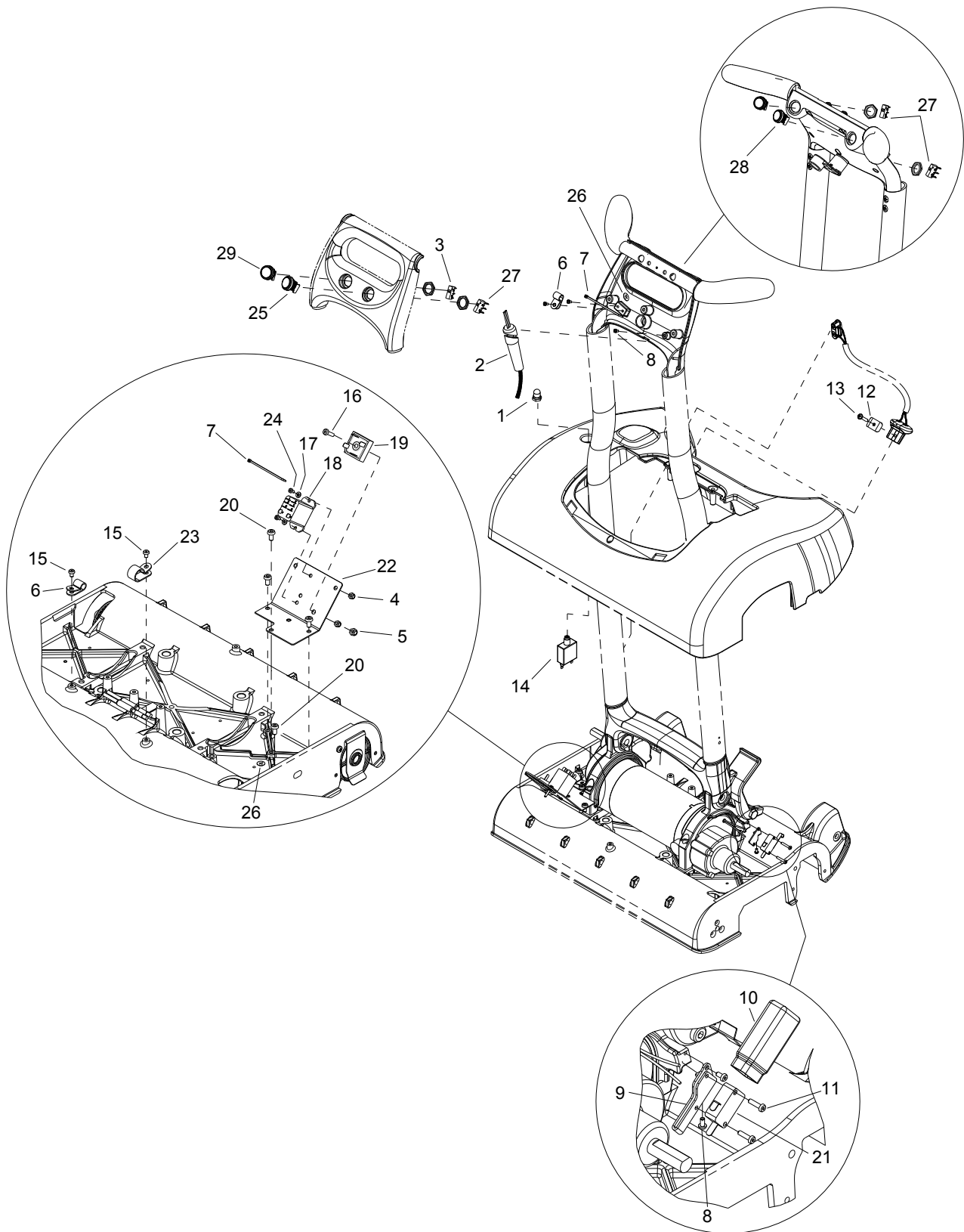


REF	PART NO.	QTY	DESCRIPTION	SERIAL NO. FROM	NOTES
1	86215580	2	BRACKET, CROSSOVER PUSH		
2	86172700	4	RING, E-TYPE, 5MM ID, DIN6799		
3	86215750	4	BRG, FLNG, 6MM IDX7MM LONG		
4	86348880	4	SPRING, CMP, 18ODX 6,1N		
5	86215740	4	BRG, FLNG, 6MM IDX24MM LONG		
6	86223620	2	ROD, LIFTING		
7	86348900	4	WASHER, ROD WIPER, 6MM		



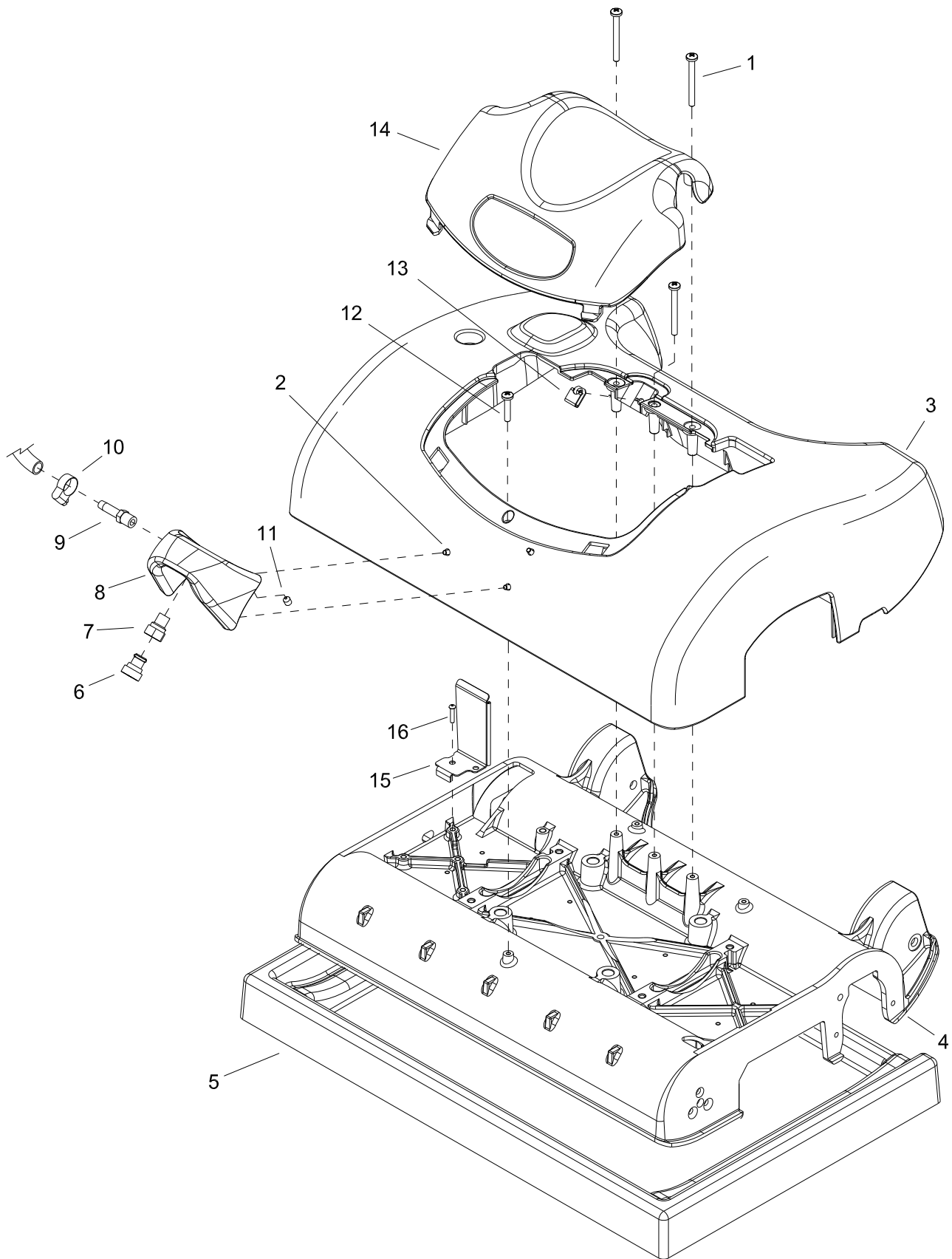


REF	PART NO.	QTY	DESCRIPTION	SERIAL NO. FROM	NOTES
1	86396640	1	LABEL, CHEMICAL INSTRUCTION		
2	86429680	1	LABEL, TRIDENT MAIN ICS17		



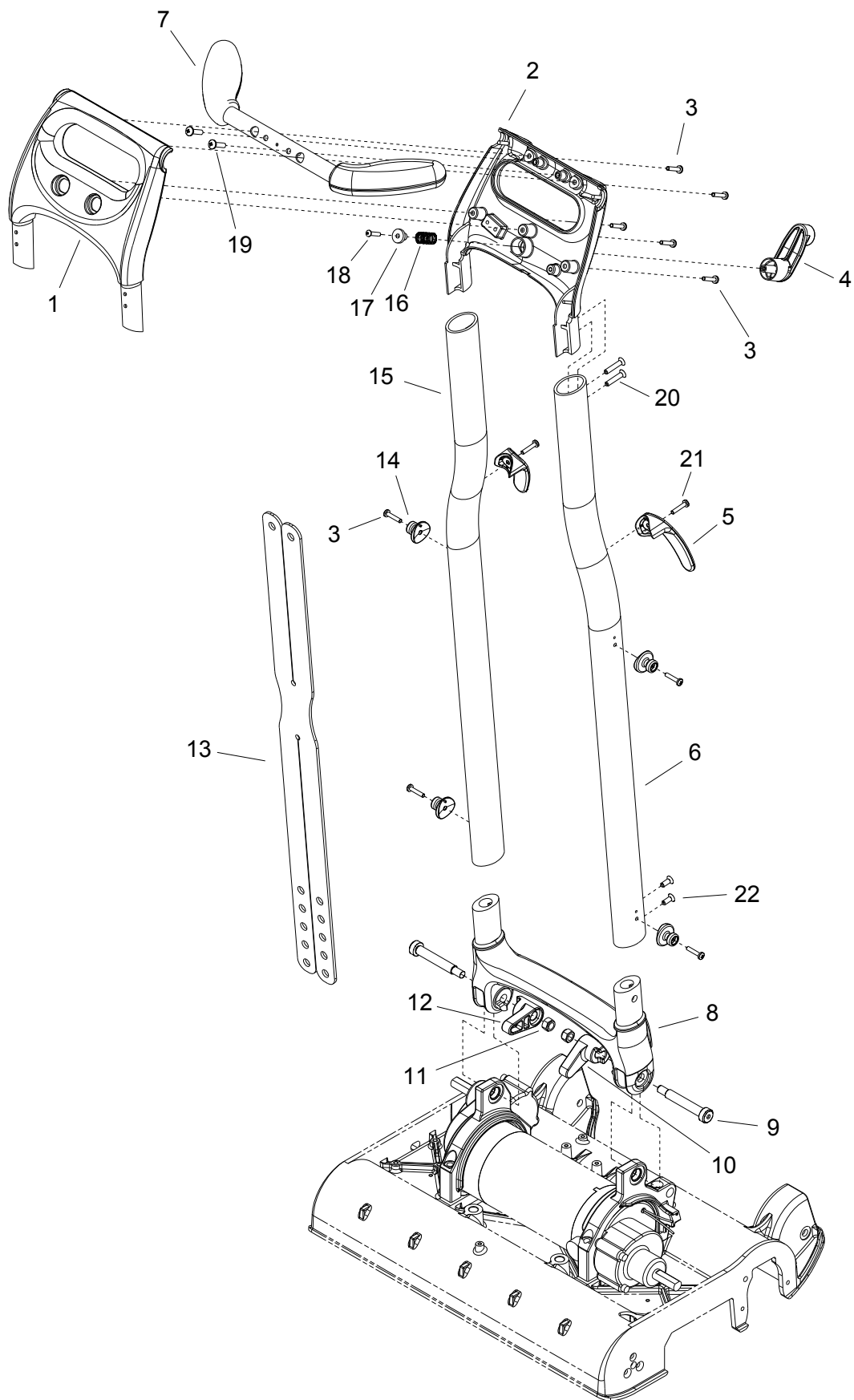
REF	PART NO.	QTY	DESCRIPTION	SERIAL NO. FROM	NOTES
1	86002010	1	BOOT, 3/8 CIRCUIT BREAKER		
2	86401120	1	CORD SET, 18/3 X 40FT SJT, YEL		
3	86314630	1	SWITCH, W/COUPLER, N.O.		
4	86329030	2	NUT, M3 HEX NYLOCK		
5	86172630	1	NUT, M4, LK, ISO7040,SST		
6	86198450	2	CLAMP, 5/16 NYLON		
7	86225320	1	TIE, CABLE NYLON		
8	86173100	2	SCR, M3X6, BSHCS, SST		
9	86291470	1	BRKT, MTR BRKT, SWITCH, CVR		
10	86291490	1	COVER, SWITCH, BRKT		
11	86291880	2	SCR, M3X12, BSHCS, SST		
12	86216800	1	CLIP, WIRE		
13	86277600	1	SCR, M4X20, PPHMS, SST		
14	86215670	1	BREAKER, 8A VDE CIRCUIT		
15	86172880	5	SCR, M4X6, BSHCS, SST		
16	86173200	1	SCR, M4X16, BSHCS, SST		
17	86225850	2	WASHER, M3, FL, ISO7089, SST		
18	86223400	1	RELAY, 15A 120VAC MINI		
19	86223390	1	RECTIFIER, 50A 600V BRIDGE		
20	86173210	4	SCR, M5X10, BSHCS, SST		
21	86291860	1	SWITCH, 125VAC SP NC ROLLER		
22	86222680	1	PLATE, BASE, ELECTRICAL BOX		
23	86216740	1	CLAMP, 17,7 NYLON		
24	86223850	2	SCR,M3X8, BHCS, ISO 7380, SST		
30	86295180	1	ASM, BUTTON, GREEN, W/BEZEL		
26	86299320	2	LABEL, GROUND SYMBOL		
27	86313930	3	SWITCH, W/COUPLER, N.C.		
28	86295190	2	ASM, BUTTON, BLUE, W/BEZEL		
29	86295150	1	ASM, BUTTON, RED, W/BEZEL		

# Frame Deluxe



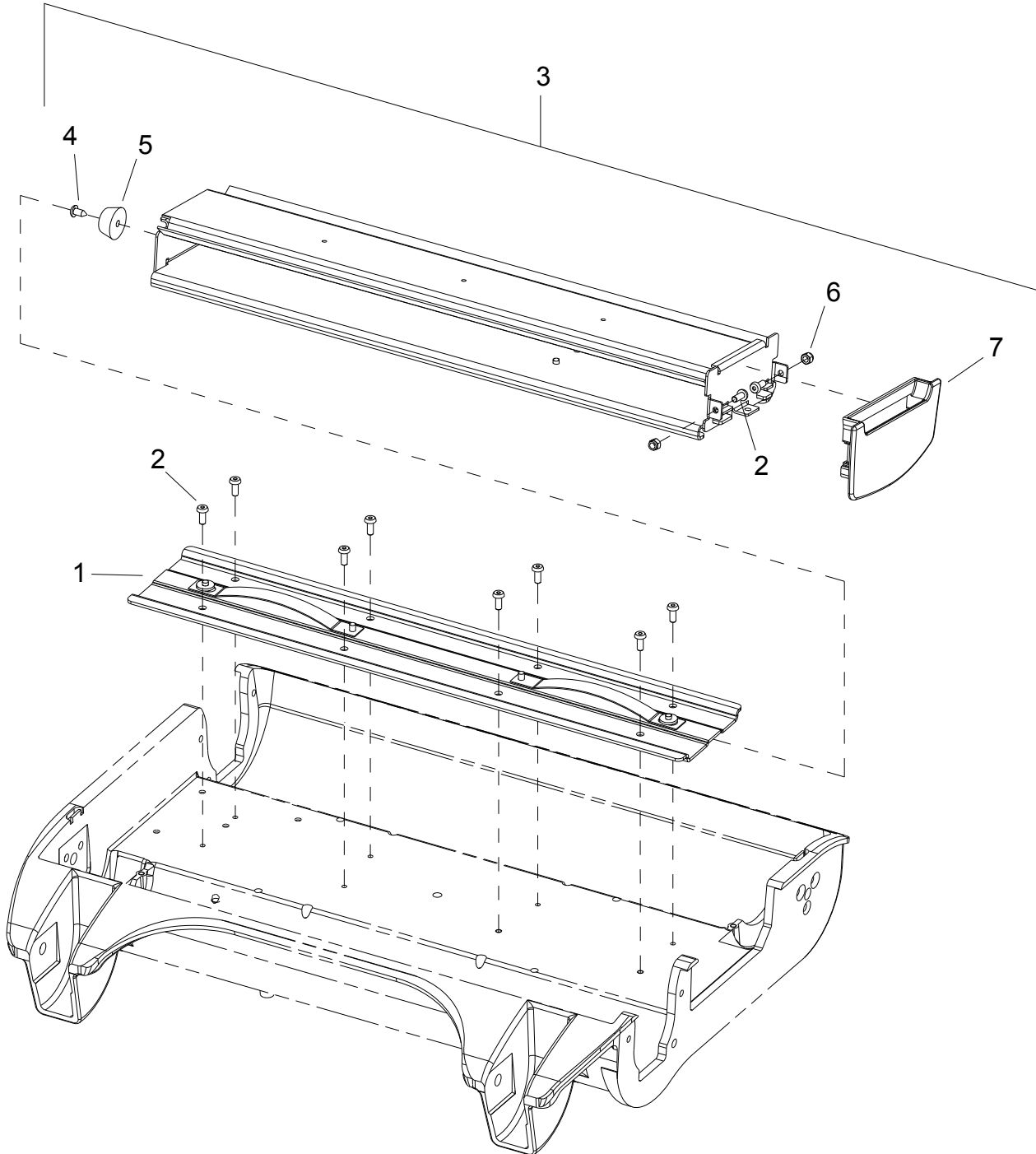
REF	PART NO.	QTY	DESCRIPTION	SERIAL NO. FROM	NOTES
1	86173050	3	SCR, M4 X 40 PPHMS, SS		
2	86173040	3	SCR, M4 X 10 SHCSB BUTHD		
3	86336010	1	COVER, FRAME, BRS 43/500		
4	86217930	1	FRAME, 3.5, SINGLE MOTOR		
5	86225340	1	TRAY, IRENEW MINI		
6	86012550	1	JET, PROMAX, 11001		
7	86004570	1	JET BODY, MINI PROMAX BODY		
8	86299460	1	MANIFOLD, SPRAYER, DLX, IMX		
9	86197520	1	HOSEBARB, 1/8MPT X 1/4 DL		
10	86233090	1	CLAMP, 1/4 ID HOSE		
11	86290790	1	SCR, M6 X 8, CP, BLK		
12	86277600	1	SCR, M4 X 20, PHMS, SST		
13	86222360	1	NUT, M4 X 0.7, U-CLAMP, 3MM PANEL		
14	86299440	1	ASSY, DOME, INSULATION		
15	86348890	1	PLATE, SPLASH GUARD		
16	86173210	1	SCR,M5X10,BSHCS,ISO7380,SS		

# Handle



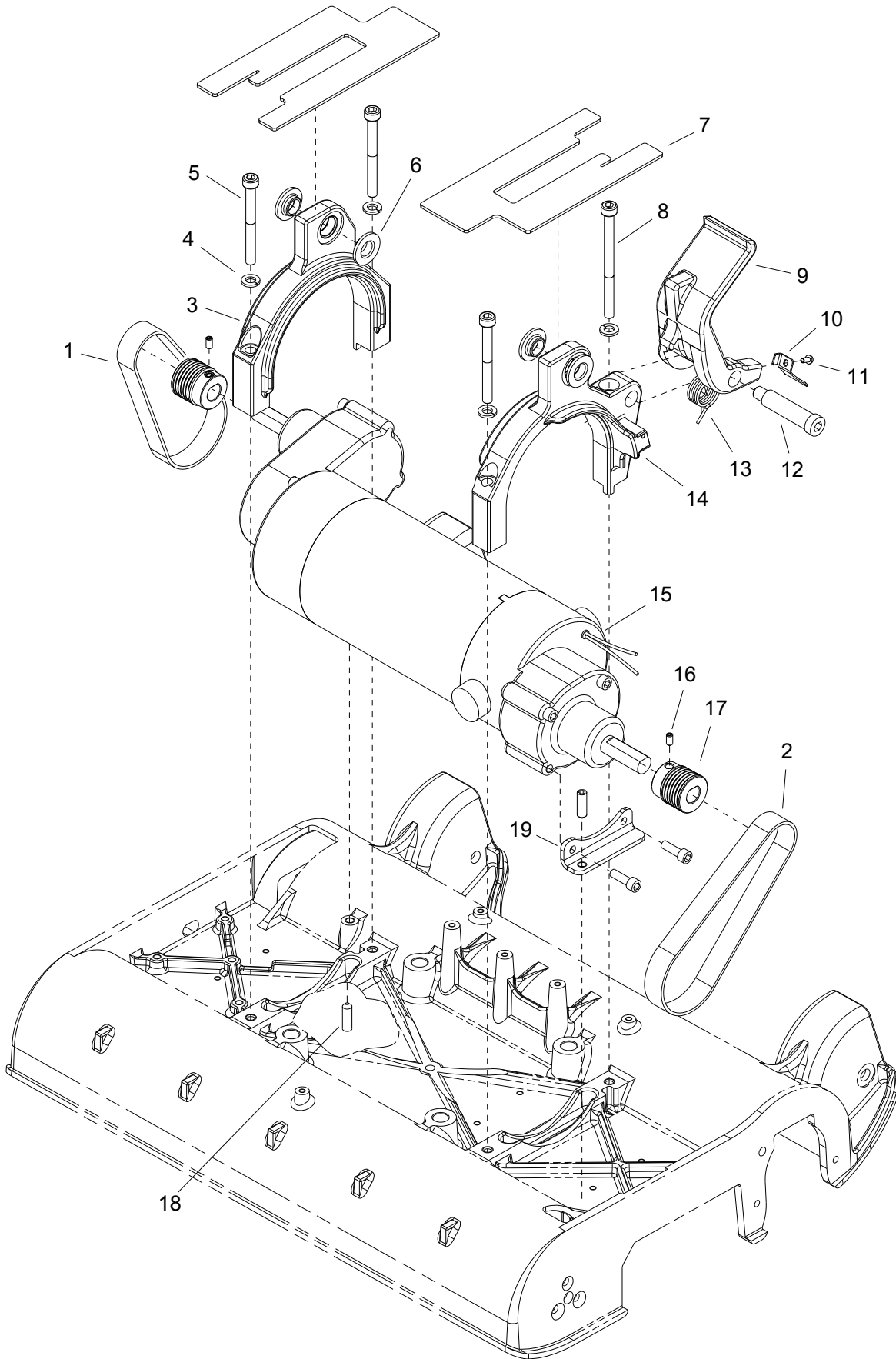
REF	PART NO.	QTY	DESCRIPTION	SERIAL NO. FROM	NOTES
1	86400840	1	CONSOLE, TOP		
2	86299770	1	CONSOLE, BOTTOM		
3	86277600	9	SCR, M4X20, PPHMS, SST		
4	86336020	1	CORD HOOK, UPPER, YLW, SM		
5	86217220	2	CORD HOOK, LOWER		
6	86218680	1	HANDLE, EXTRUSION, LEFT		
7	86299750	1	GRIP, HANDLE		
8	86299790	1	PIVOT CASTING		
9	86173180	2	SCR, 10M8X55, SHLD, BLK		
10	86221800	1	LIFTING CAM, LEFT		
11	86172640	2	NUT, M8, LK, SST		
12	86221810	1	LIFTING CAM, RIGHT		
13	86224970	1	STRAP, SPRAYER HOLD DOWN		
14	86223640	4	RUBBER STRAP HOOK		
15	86218690	1	HANDLE, EXTRUSION, RIGHT		
16	86224680	1	SPRING, COMP, 11.56D X 19.05L		
17	86223450	1	RETAINER, SPRING, CORD HOOK		
18	86012940	1	SCR, KA40X35, PT OVAL, WN1412, PL		
19	86172820	2	SCR, M5X20, PPHMS, SST		
20	86308740	4	SCR, M5X30,CSK, OVL, ISO7047,SS		
21	86172870	2	SCR, M4X14, PPHMS, ISO7045, SST		
22	86294260	4	SCR, M5X12, W/LOCTITE		

# Hopper



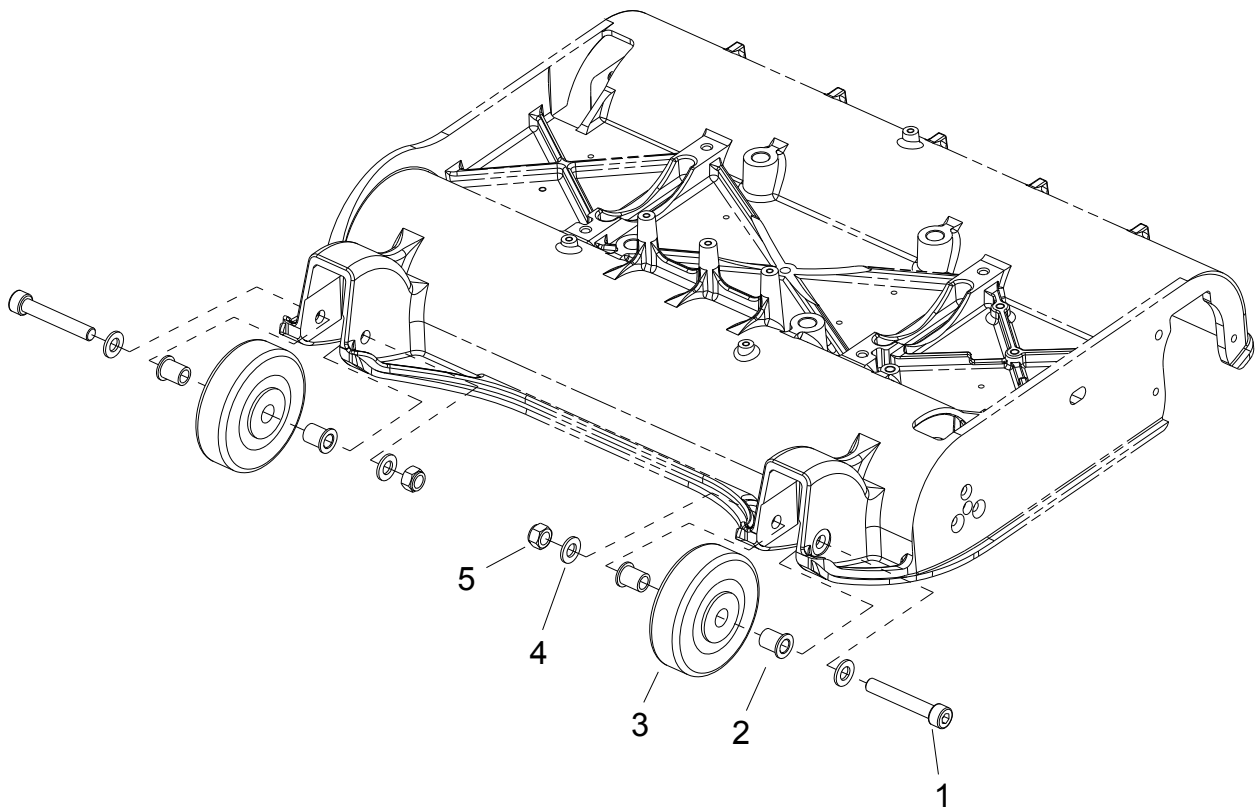


REF	PART NO.	QTY	DESCRIPTION	SERIAL NO. FROM	NOTES
1	86214790	1	ASM, GUIDE, HOPPER		
2	86173040	10	SCR, M4X10, BSHCS, SST		
3	86299490	1	ASM, HOPPER FRAME & PLATE		
4	86173080	1	SCR, 4.2 X 9.5, TAP, ZN		
5	86216310	1	BUMPER, STOP, HOPPER		
6	86172630	1	NUT, M4, LK, SST		
7	86299500	1	COVER, FRONT, HOPPER		



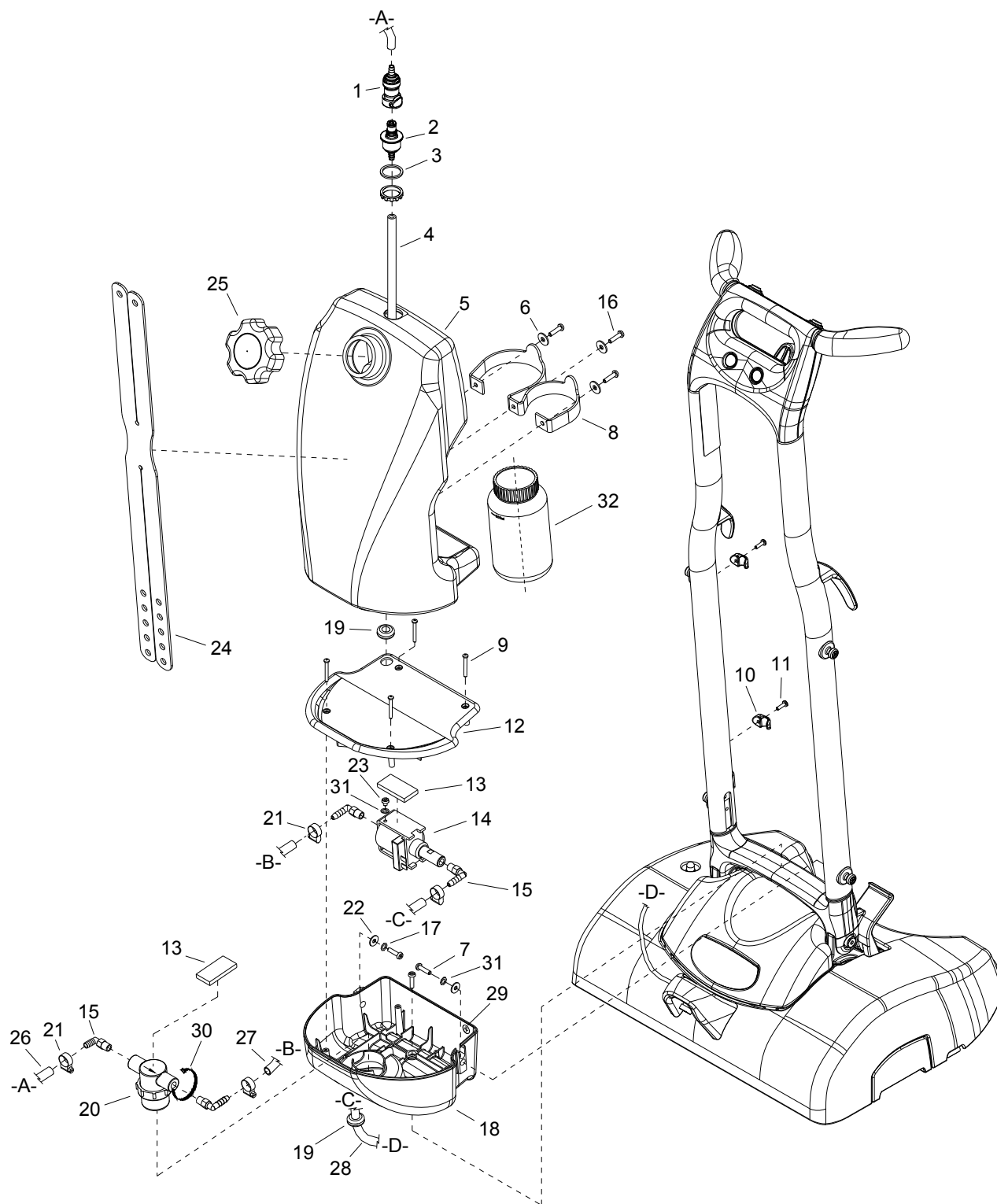
REF	PART NO.	QTY	DESCRIPTION	SERIAL NO. FROM	NOTES
1	86343290	1	BELT, FLEX-V, PJ-6, 293		
2	86343300	1	BELT, FLEX-V, PJ-6, 319		
3	86215960	1	BRKT, MTR MOUNT, RH		
4	86173310	4	WASHER, SPRING LK, 6MM, SS		
5	86173060	3	SCR, SHCS, M6X60, SST		
6	86217890	4	FLANGE, BRG, PIVOT		
7	86217590	2	CVR PLATE, 1.5MM THK, PLASTIC		
8	86173090	1	SCR, SHCS, M6X80, SST		
9	86335830	1	PDL, FOOT, HNDL RELEASE, YLW		
10	86291480	1	BRKT, FOOT PEDAL, SWITCH		
11	86173100	1	SCR, M3X6, BSHCS, SST		
12	86223870	1	SCR, SHLDR, 11.00DIAXM8X40		
13	86224620	1	SPRING, TORSION, 19.38 OD		
14	86215950	1	BRKT, MTR MOUNT, LH		
15	86222200	1	MOTOR, SINGLE, 3.5" DIA		
-	86216180	1	BRUSH SET, 120V VAC, IM		NOT SHOWN
16	86290790	2	SCR,M6X8,ISO4029,CP,BLK		
17	86343270	2	PULLEY, PJ-6, 27MM		
18	86253200	2	SET SCR, M6 X 25 CP		
19	86343310	1	BRKT, MOT0R ADJUSTMENT		
-	86352340	-	KIT, 87/100 BELT CONVERSION		NOT SHOWN

## Rear Wheel



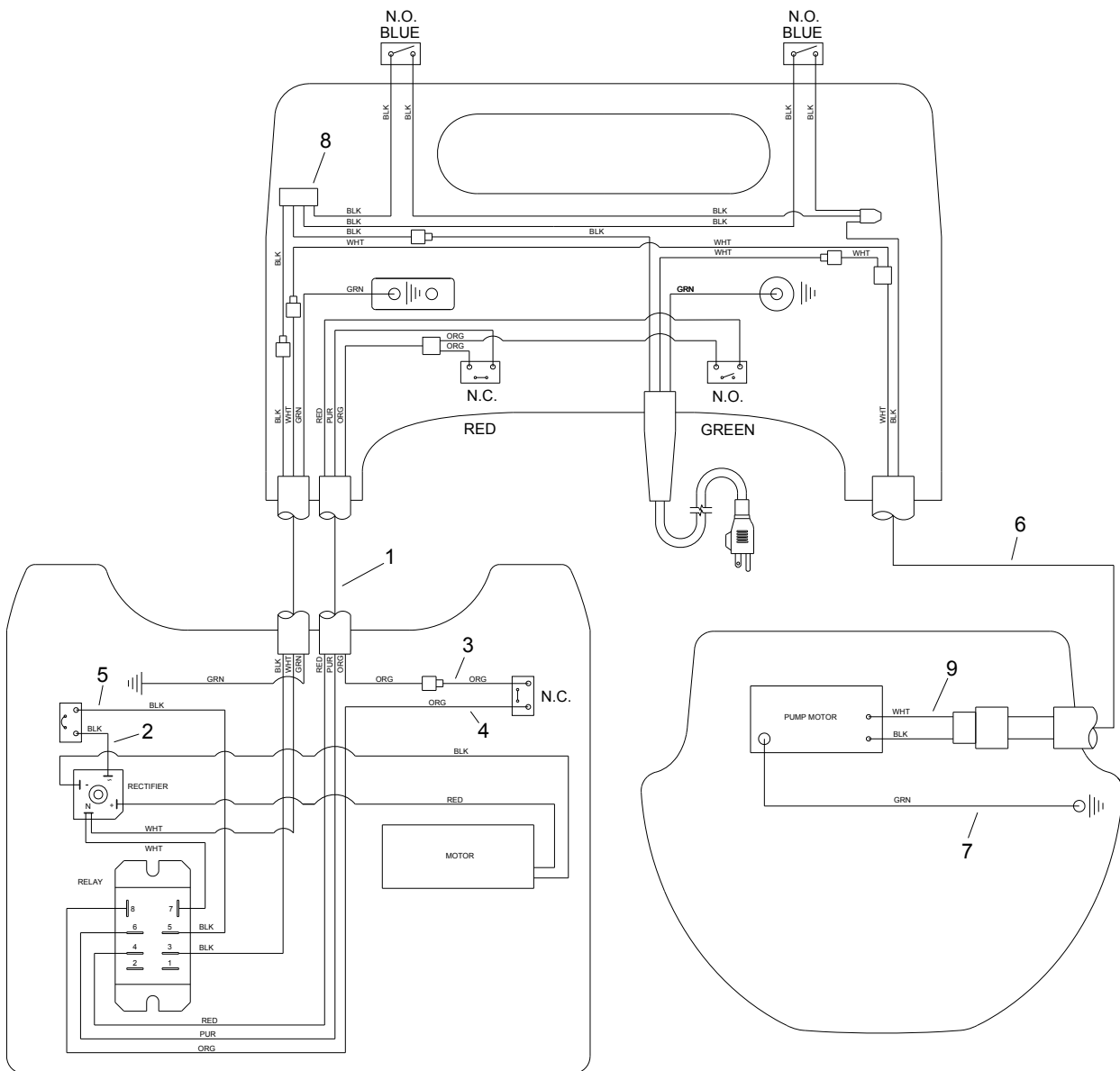
<b>REF</b>	<b>PART NO.</b>	<b>QTY</b>	<b>DESCRIPTION</b>	<b>SERIAL NO. FROM</b>	<b>NOTES</b>
1	86172790	2	SCR, SHCS, M8X50, ISO4762, BLK		
2	86216450	4	BUSHING, 11.25MM X 8.0MM, SST		
3	86011020	2	WHEEL, 3" DIA. CUSHION RUBBER		
4	86173300	4	WASHER, M8, FL, ISO7089, SST		
5	86172640	2	NUT, M8, NYLOCK, ISO7040, SST		

# Solution Tank - Deluxe



REF	PART NO.	QTY	DESCRIPTION	SERIAL NO. FROM	NOTES
1	86299710	1	CPLR, BODY, 1/4" BARB, GRY		
2	86299720	1	CPLR, PNL MNT, 1/4" BARB, GRY		
3	86012500	1	SEAL, COUPLER, EPDM RUBBER		
4	86219230	1	HOSE, SUCTION, TANK, DELUXE		
5	86225300	1	TANK, DLX (MACH)		
6	86013850	3	WASHER, M6, FNDR, SS		
7	86172820	3	SCR, M5 X 20, PHMS, ISO7045, SST		
8	86012570	1	STRAP, CHEMICAL BOTTLES, DLX		
9	86012940	5	SCR, KA40X35, PT OVL, PL		
10	86216780	2	CLAMP, TUBE 1/4"		
11	86172870	2	SCR, M4X14 PHMS, SST		
12	86299740	1	COVER, PUMP, TOP		
13	86012520	2	GASKET, SEAL, NEOPRENE, RBR		
14	86201110	1	PUMP, 110/120V 60HZ FLOJET		
15	86240520	4	HOSEBARB, 1/8MPT X 1/4 90D		
16	86172990	3	SCR, M6 X 12 BHCS, ISO 7380, SS		
17	86013840	1	WASHER SPRING LCK, SMM		
18	86299730	1	COVER, PUMP		
19	86012530	2	GROMMET, 9.3MM ID X 23MM OD		
20	86012560	1	STRAINER, SMALL, 60 MESH		
21	86233090	4	CLAMP, 1/4 ID HOSE		
22	86012970	2	WASHER, M5, FNDR, SS		
23	86006770	1	SCR, 10-32 X 1/4 PHTR PLTD		
24	86224970	1	STRAP, SPRAYER HOLD DOWN		
25	86335840	1	CAP, 2-1/4, POWER GRIP, YLW		
26	86290030	1	HOSE, 3/8OD X 1/4ID URTHN X 30"		
27	86290010	1	HOSE, 3/8OD X 1/4ID URTHN X 8"		
28	86290020	1	HOSE, 3/8OD X 1/4ID URTHN X 27"		
29	86299320	1	LABEL, GROUND SYMBOL		
30	86225320	1	TIE-CABLE, NYLON		
31	86010640	2	WASHER, #10 LOCK EXT STAR SS		
32	86372120	1	BOTTLE, 500 ML		

# Wiring - 120V - Deluxe





REF	PART NO.	QTY	DESCRIPTION	SERIAL NO. FROM	NOTES
1	86218820	1	HARNESS, MAIN		
2	86226220	1	WIRE, 10" BLK/18 76040		
3	86226260	1	WIRE, 15" ORG/18 76040 X 76040		
4	86226270	1	WIRE, 18" ORG/18		
5	86226280	1	WIRE, 9" BLK/18 76040 X 76040		
6	86013120	1	HARNESS, PUMP HOUSING, DLX		
7	86013090	1	WIRE, 9.5" GRN/18		
8	86013110	1	WIRE, 4 W/WIRE JOINT, BLK		
9	86013950	1	WIRE ASSY, W/2 PIN CONN, DLX		